

## LUMOTAST 16, illuminated pushbutton, round collar, C-LAB, momentary contact function, 1 NO, inscribable



### Description

Through the use of RAFI tactile switches, the LUMOTAST 16 illuminated pushbuttons offer crisp, tactile feedback – with a distinct key click. They offer an impressively wide range of possible industrial uses and applications.

LUMOTAST 16 C-LAB illuminated pushbuttons can be configured easily by the customer. This means various front ring colors can be combined with the bezels according to the user's own wishes or design preferences. It also means that customized label symbols or texts can be implemented.



### technical data

#### > general

|   |                    |
|---|--------------------|
| Collar color  | black              |
| Luminous element color                                      | white              |
| Collar shape  | round              |
| Operating temperature, min.                                 | -25 °C             |
| Operating temperature, max.                                 | 70 °C              |
| Storage temperature, min.                                   | -40 °C             |
| Storage temperature, max.                                   | 80 °C              |
| illuminated   | Yes                |
| Packaging   | Box                |
| Packaging unit  | 10 pcs.            |
| Net weight  | 4.2 g              |
| Operating life  | 500,000 cycles     |
| B10   | 600,000 cycles     |
| Degree of protection, front side, according to DIN EN 60529 | IP65<br>IP67       |
| Vibration resistance according to standard IEC 60068-2-6    | 5 g at 10 - 500 Hz |
| Minimum order quantity (MOQ)                                | 10 pcs.            |
| RoHS compliant  | Yes                |
| REACH compliant   | Yes                |
| Country of origin   | HU                 |

#### > mounting diameters

|                           |         |
|---------------------------|---------|
| Outside dimension, length | 23.5 mm |
| Outside dimension, width  | 23.5 mm |
| Outside dimension, height | 22.3 mm |
| Mounting hole             | 16.2 mm |
| Mounting depth            | 18 mm   |
| Installation height       | 4.6 mm  |
| Collar dimension          | 23.5 mm |

#### direct links

> [RAFI eCatalog](#)

### > mechanical data

|                            |                                       |
|----------------------------|---------------------------------------|
| Terminal on the rear       | Flat quick-connect terminal 2.8 x 0.5 |
| Fixing                     | Threaded ring                         |
| Actuation function         | momentary contact function            |
| Threaded ring torque, max. | 0.8 Nm                                |
| Contact function           | 1 NO                                  |
| Contact system             | Snap-action contact                   |
| Contact material           | Gold                                  |
| Solderability              | No                                    |

### > electrical data

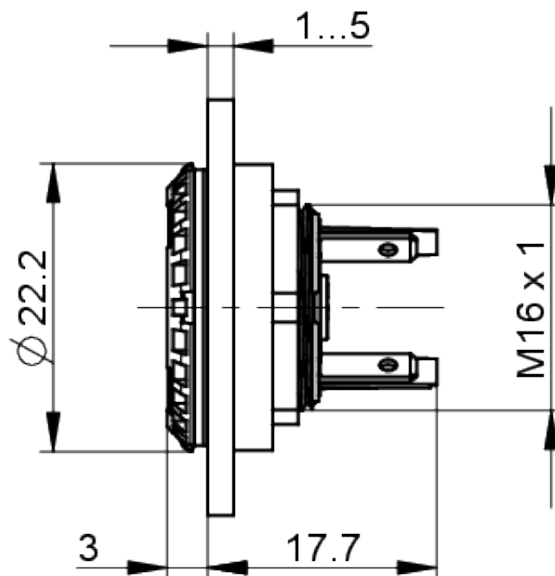
|   |           |
|---|-----------|
| Rated insulation voltage                        | 42 V      |
| Operating voltage of the luminous element, min. | 10 V      |
| Operating voltage of the luminous element, max. | 32 V      |
| Rated voltage, min.                             | 0.02 V    |
| Rated voltage, max.                             | 35 V      |
| Voltage type                                    | DC        |
| Rated operating voltage                         | 0.02-35 V |
| Operating current of the luminous element, min. | 18 mA     |
| Operating current of the luminous element, max. | 25 mA     |
| Rated current, min.                             | 0.0001 A  |
| Rated current, max.                             | 0.1 A     |
| Rated power, max.                               | 1 W       |

### > Specifications according to UL 60947

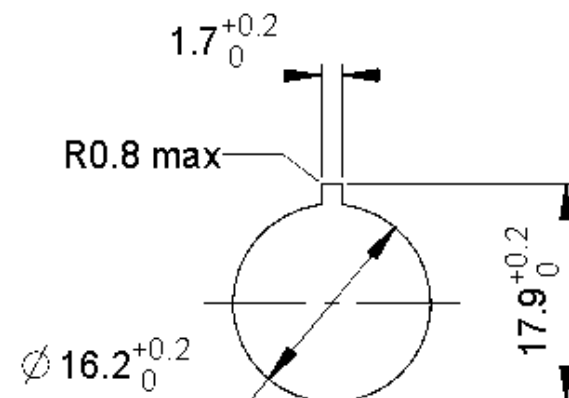
|                                     |                       |
|-------------------------------------|-----------------------|
| Rated voltage, max.                 | 30 V AC (42,2 V peak) |
| UL Enclosure Type Rating front side | type 1                |

**drawings**

**Dimensioned drawing**



**Mounting hole drawing**



**Schematic diagram**

