

LUMOTAST 16, pushbutton, round collar, C-LAB, momentary contact function, 1 NO



Description

Through the use of RAFI tactile switches, the LUMOTAST 16 pushbuttons offer crisp, tactile feedback – with a distinct key click. They offer an impressively wide range of possible industrial uses and applications.

LUMOTAST 16 C-LAB Drucktaster können einfach durch den Kunden selbst konfiguriert werden. So können diverse Frontringfarben nach eigenen Wünschen oder Designvorstellungen mit den Blenden kombiniert werden. Darüber hinaus erlaubt dieses Prinzip auch, dass individuell eigene Beschriftungssymbole oder Texte realisiert werden können.



technical data

> general

Collar color	black
Collar shape	round
Operating temperature, min.	-25 °C
Operating temperature, max.	70 °C
Storage temperature, min.	-40 °C
Storage temperature, max.	80 °C
illuminated	No
Packaging	Box
Packaging unit	10 pcs.
Net weight	3.9 g
Operating life	500,000 cycles
B10	600,000 cycles
Degree of protection, front side, according to DIN EN 60529	IP65 IP67
Vibration resistance according to standard IEC 60068-2-6	5 g at 10 - 500 Hz
Oscillation resistance according to standard IEC 60068-2-6	5 g at 10...500 Hz
Minimum order quantity (MOQ)	10 pcs.
RoHS compliant	Yes
REACH compliant	Yes
Country of origin	HU

> mounting diameters

Outside dimension, length	23.5 mm
Outside dimension, width	23.5 mm
Outside dimension, height	22.3 mm
Mounting hole	16.2 mm
Mounting depth	18 mm
Installation height	4.6 mm

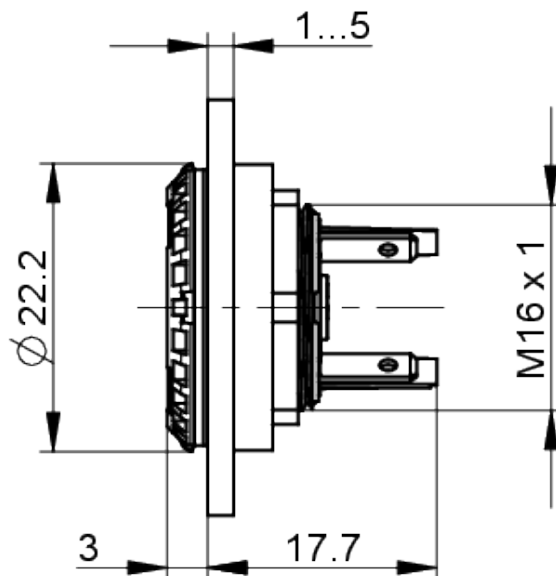
direct links

> [RAFI eCatalog](#)

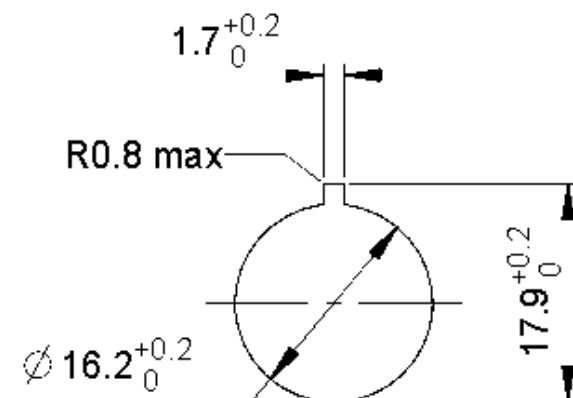
Collar dimension	23.5 mm
> mechanical data	
Terminal on the rear	Flat quick-connect terminal 2.8 x 0.5
Fixing	Threaded ring
Actuation function	momentary contact function
Threaded ring torque, max.	0.8 Nm
Contact function	1 NO
Contact system	Snap-action contact
Contact material	Gold
Solderability	No
> electrical data	
Rated insulation voltage	42 V
Rated voltage, min.	0.02 V
Rated voltage, max.	35 V
Voltage type	DC
Rated operating voltage	0.02-35 V
Rated current, min.	0.0001 A
Rated current, max.	0.1 A
Rated power, max.	1 W
> Specifications according to UL 60947	
Rated voltage, max.	30 V AC (42,2 V peak)
UL Enclosure Type Rating front side	type 1

drawings

Dimensioned drawing



Mounting hole drawing



Schematic diagram

