

LUMOTAST 16, illuminated pushbutton 5V, round collar, momentary contact function, frontring metallic silver, 1 NO, bezel red



Description

Through the use of RAFI tactile switches, the LUMOTAST 16 illuminated pushbuttons offer crisp, tactile feedback – with a distinct key click. They offer an impressively wide range of possible industrial uses and applications.



technical data

> general

| | |
|---|--------------------|
| Bezel color | red |
| Property of bezel / mushroom | translucent |
| Collar color | black |
| Front ring color | metallic silver |
| Luminous element color | white |
| Collar shape | round |
| Operating temperature, min. | -25 °C |
| Operating temperature, max. | 70 °C |
| Storage temperature, min. | -40 °C |
| Storage temperature, max. | 80 °C |
| illuminated | Yes |
| Packaging | Box |
| Packaging unit | 10 pcs. |
| Net weight | 4.2 g |
| Operating life | 500,000 cycles |
| B10 | 600,000 cycles |
| Degree of protection, front side, according to DIN EN 60529 | IP65 IP67 |
| Vibration resistance according to standard IEC 60068-2-6 | 5 g at 10 - 500 Hz |
| Minimum order quantity (MOQ) | 10 pcs. |
| RoHS compliant | Yes |
| REACH compliant | Yes |
| Country of origin | HU |

> mounting diameters

| | |
|---------------------------|---------|
| Outside dimension, length | 23.5 mm |
| Outside dimension, width | 23.5 mm |
| Outside dimension, height | 22.3 mm |
| Mounting hole | 16.2 mm |
| Mounting depth | 18 mm |
| Installation height | 4.6 mm |
| Collar dimension | 23.5 mm |

direct links

> [RAFI eCatalog](#)

> mechanical data

| | |
|----------------------------|---------------------------------------|
| Terminal on the rear | Flat quick-connect terminal 2.8 x 0.5 |
| Fixing | Threaded ring |
| Actuation function | momentary contact function |
| Threaded ring torque, max. | 0.8 Nm |
| Contact function | 1 NO |
| Contact system | Snap-action contact |
| Contact material | Gold |
| Solderability | No |

> electrical data

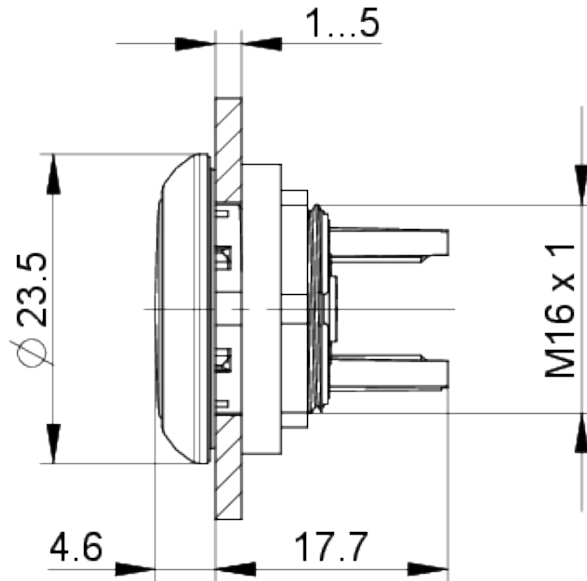
| | |
|---|-----------|
| Rated insulation voltage | 42 V |
| Operating voltage of the luminous element, min. | 4.8 V |
| Operating voltage of the luminous element, max. | 5.2 V |
| Rated voltage, min. | 0.02 V |
| Rated voltage, max. | 35 V |
| Voltage type | DC |
| Rated operating voltage | 0.02-35 V |
| Operating current of the luminous element, min. | 30 mA |
| Operating current of the luminous element, max. | 50 mA |
| Rated current, min. | 0.0001 A |
| Rated current, max. | 0.1 A |
| Rated power, max. | 1 W |

> Specifications according to UL 60947

| | |
|-------------------------------------|-----------------------|
| Rated voltage, max. | 30 V AC (42,2 V peak) |
| UL Enclosure Type Rating front side | type 1 |

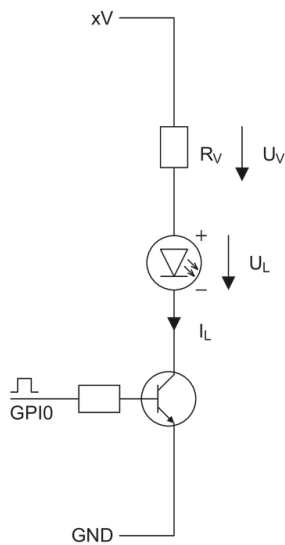
drawings

Dimensioned drawing



System drawing

Getaktete Ansteuerung an einer beliebigen Spannung $x > 5V$
 $xV > 5V$

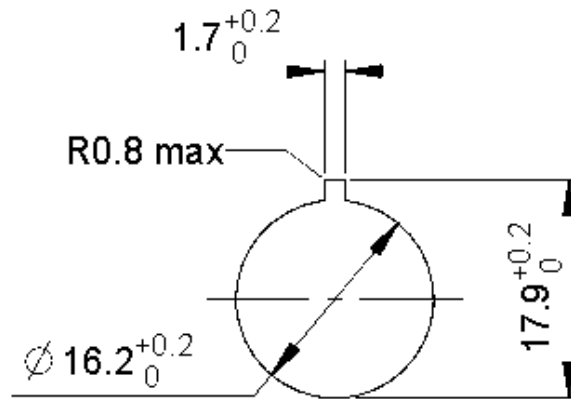


| | TYP | MIN | MAX | EINHEIT |
|----------|-----|-----|-----|---------|
| U_{CE} | 0,3 | | | V |
| U_L | 4,7 | 4,5 | 5,2 | V |
| I_L | 40 | | 50 | mA |

$$U_V = xV - 5V$$

$$R_V = \frac{xV - 5V}{40 \text{ mA}}$$

Mounting hole drawing



Schematic diagram

