

LUMOTAST 16, illuminated pushbutton, round collar, momentary contact function, frontring black, 1 NO, bezel blue



Description

Through the use of RAFI tactile switches, the LUMOTAST 16 illuminated pushbuttons offer crisp, tactile feedback – with a distinct key click. They offer an impressively wide range of possible industrial uses and applications.



technical data

> general

Bezel color	blue
Property of bezel / mushroom	translucent
Collar color	black
Front ring color	black
Luminous element color	white
Collar shape	round
Operating temperature, min.	-25 °C
Operating temperature, max.	70 °C
Storage temperature, min.	-40 °C
Storage temperature, max.	80 °C
illuminated	Yes
Packaging	Box
Packaging unit	10 pcs.
Net weight	4.2 g
Operating life	500,000 cycles
B10	600,000 cycles
Degree of protection, front side,	IP65
according to DIN EN 60529	IP67
Vibration resistance according to	5 g at 10 - 500 Hz
standard IEC 60068-2-6	
Minimum order quantity (MOQ)	10 pcs.
RoHS compliant	Yes
REACH compliant	Yes
Country of origin	HU

> mounting diameters

Outside dimension, length	23.5 mm
Outside dimension, width	23.5 mm
Outside dimension, height	22.3 mm
Mounting hole	16.2 mm
Mounting depth	18 mm
Installation height	4.6 mm
Collar dimension	23.5 mm

> mechanical data

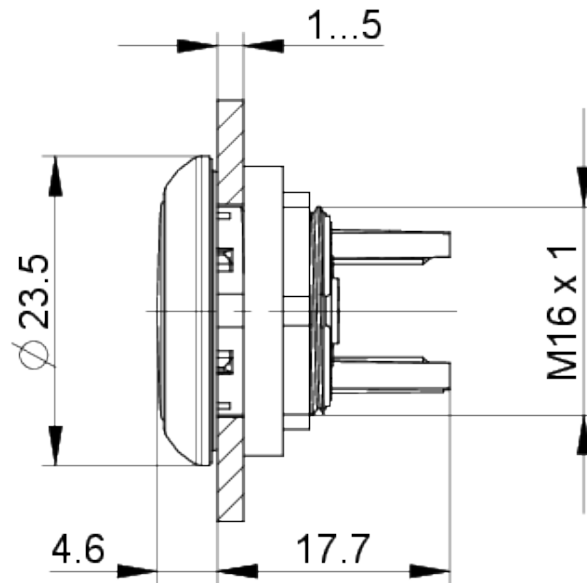
direct links

> [RAFI eCatalog](#)

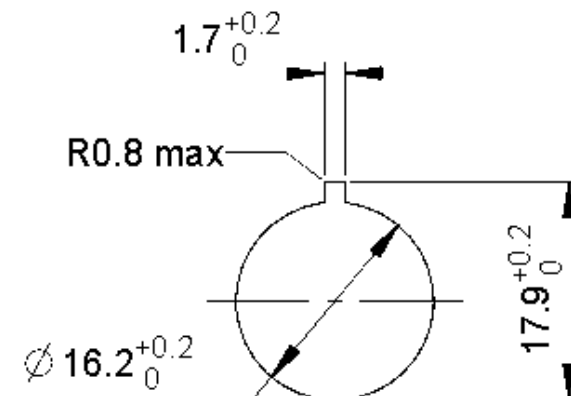
Terminal on the rear	Flat quick-connect terminal 2.8 x 0.5
Fixing	Threaded ring
Actuation function	momentary contact function
Threaded ring torque, max.	0.8 Nm
Contact function	1 NO
Contact system	Snap-action contact
Contact material	Gold
Solderability	No
> electrical data	
Rated insulation voltage	42 V
Operating voltage of the luminous element, min.	10 V
Operating voltage of the luminous element, max.	32 V
Rated voltage, min.	0.02 V
Rated voltage, max.	35 V
Voltage type	DC
Rated operating voltage	0.02-35 V
Operating current of the luminous element, min.	18 mA
Operating current of the luminous element, max.	25 mA
Rated current, min.	0.0001 A
Rated current, max.	0.1 A
Rated power, max.	1 W
> Specifications according to UL 60947	
Rated voltage, max.	30 V AC (42,2 V peak)
UL Enclosure Type Rating front side	type 1

drawings

Dimensioned drawing



Mounting hole drawing



Schematic diagram

