

LUMOTAST 25, mushroom pushbutton, threaded ring, latching, 2 NC, Mushroom head red



Description



technical data

> general

Color of mushroom	red
Property of bezel / mushroom	opaque
Collar color	black
Collar shape	square
Operating temperature, min.	-25 °C
Operating temperature, max.	70 °C
Storage temperature, min.	-40 °C
Storage temperature, max.	80 °C
illuminated	No
Packaging	Box
Packaging unit	2 pcs.
Net weight	9.5 g
Operating life	15,000 cycles
B10	19,500 cycles
B10d	39,000 cycles
Degree of protection, front side, according to DIN EN 60529	IP65
Minimum order quantity (MOQ)	10 pcs.
RoHS compliant	Yes
REACH compliant	Yes
Country of origin	HU

> mounting diameters

Outside dimension, length	25 mm
Outside dimension, width	25 mm
Outside dimension, height	45.1 mm
Mounting hole	16.2 mm
Mounting depth	26.6 mm
Installation height	18.5 mm

> mechanical data

Terminal on the rear	Male quick connector / plug-in socket
Fixing	Threaded ring

direct links

> [RAFI eCatalog](#)

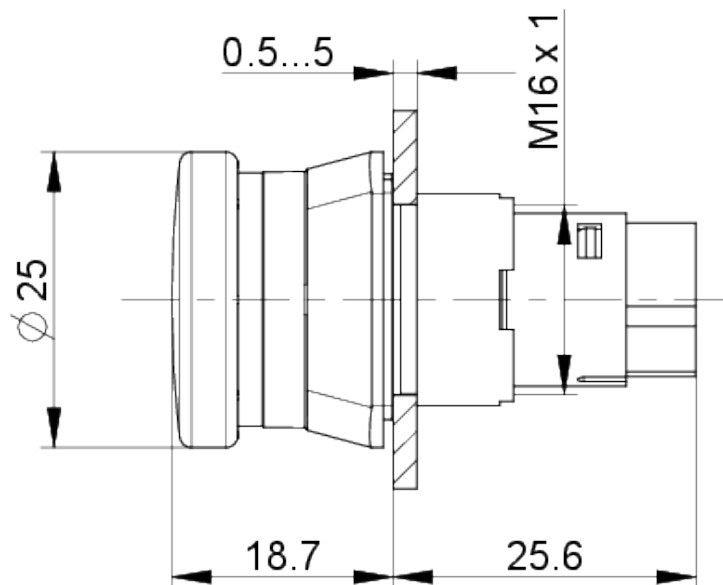
Actuation function	latching
Operating force, max.	10 N
Operating travel, max.	2.6 mm
Threaded ring torque, max.	0.8 Nm
Contact function	2 NC
Contact system	Snap-action contact
Contact material	Gold
PIN 1	Normally closed contact 1
PIN 2	Normally closed contact 2
PIN 3	Normally closed contact 1
PIN 4	Normally closed contact 2

> electrical data

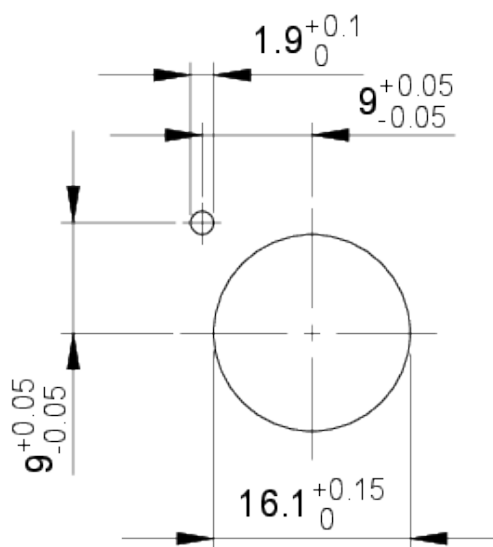
Rated voltage, min.	0.02 V
Rated voltage, max.	25 V
Rated current, min.	0.0001 A
Rated current, max.	0.1 A

drawings

Dimensioned drawing



Mounting hole drawing



Schematic diagram

