

LUMOTAST 75 IP40, keylock switch, round collar, 1 NC + 1 NO, Silver, Solder terminal, 90°, latching, key removal position 0



Description

The LUMOTAST 75 key-operated switches have proven themselves over decades. The familiar connection concept makes the LUMOTAST 75 series your reliable component. Illuminated pushbuttons and signal lamps are also available to match the design. The basic version of the LUMOTAST 75 offers protection class IP 40 according to DIN.



technical data

> general

Collar color	black
Collar shape	round
Operating temperature, min.	-25 °C
Operating temperature, max.	70 °C
Storage temperature, min.	-40 °C
Storage temperature, max.	80 °C
illuminated	No
Packaging	Box
Packaging unit	2 pcs.
Net weight	33 g
Operating life	50,000 cycles
B10	65,000 cycles
Degree of protection, front side, according to DIN EN 60529	IP40
Minimum order quantity (MOQ)	10 pcs.
RoHS compliant	Yes
REACH compliant	Yes
Country of origin	HU

direct links

> [RAFI eCatalog](#)

> mounting diameters

Outside dimension, length	18 mm
Outside dimension, width	18 mm
Outside dimension, height	49 mm
Mounting hole	16.2 mm
Mounting depth	41.5 mm
Installation height	7.5 mm
Collar dimension	18 mm

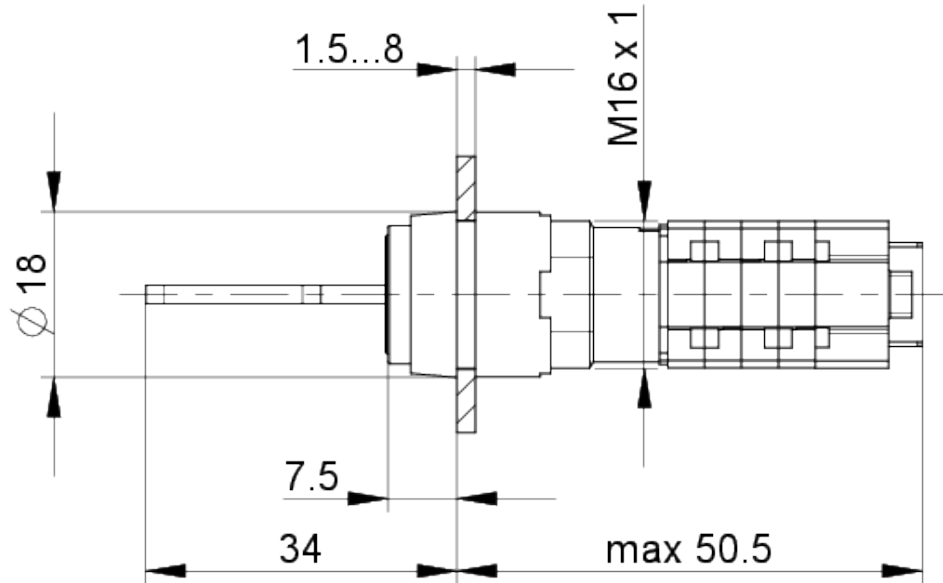
> mechanical data

Key removal position	0
Terminal on the rear	Solder terminal
Number of locking positions	45
Fixing	Threaded ring

Actuation function	latching
Rotating angle	90°
Contact function	1 NC + 1 NO
Contact system	Bridge-snap-action contact
Contact material	Silver
Solderability	Yes
Locking position	45
> electrical data	
Rated voltage, min.	12 V
Rated voltage, max.	230 V
Rated current, min.	0.05 A
Rated current, max.	4 A

drawings

Dimensioned drawing



Mounting hole drawing

