

LUMOTAST 75 IP40, illuminated pushbutton, rectangular collar, flat bezel, momentary contact function, 1 NC + 1 NO



Description

LUMOTAST 75 illuminated pushbuttons and signal lamps have been in use for decades. They are the most successful mono-switches in RAFI history. The wide range of collar shapes in classic design and the established terminal and legending concept make the LUMOTAST 75 series one of your most reliable components. Keylock switches compatible with the design are also available. The basic LUMOTAST 75 model complies with IP 40 protection class according to DIN. Lens covers and diffusing discs must be ordered separately.



technical data

> general

Collar color	black
Collar shape	rectangular
Operating temperature, min.	-25 °C
Operating temperature, max.	55 °C
Storage temperature, min.	-40 °C
Storage temperature, max.	80 °C
illuminated	Yes
Lamp socket	T4.5
Packaging	Box
Packaging unit	10 pcs.
Net weight	11 g
Operating life electrical	200,000 (2A / 250V AC) cycles 60.000 (4A / 250V AC) cycles
B10	260,000 cycles
Degree of protection, front side, according to DIN EN 60529	IP40
Protection class	II
Minimum order quantity (MOQ)	20 pcs.
RoHS compliant	Yes
REACH compliant	Yes
Country of origin	HU

> mounting diameters

Outside dimension, length	24 mm
Outside dimension, width	18 mm
Outside dimension, height	49 mm
Mounting hole	16.2 mm
Mounting depth	41.5 mm
Installation height	7.5 mm

> mechanical data

Terminal on the rear	Solder terminal
----------------------	-----------------

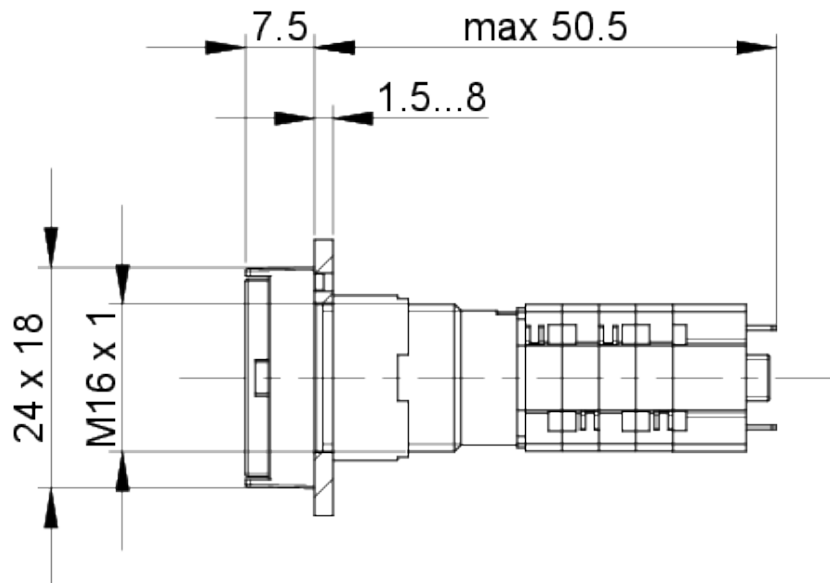
direct links

> [RAFI eCatalog](#)

Fixing	Threaded ring
Actuation function	momentary contact function
Operating force, max.	6.5 N
Operating force, min.	3 N
Operating travel, max.	2.7 mm
Contact function	1 NC + 1 NO
Contact system	Bridge-snap-action contact
Contact material	Silver
Solderability	Yes
> electrical data	
Rated voltage, min.	12 V
Rated voltage, max.	230 V
Rated current, min.	0.05 A
Rated current, max.	4 A

drawings

Dimensioned drawing



Mounting hole drawing

