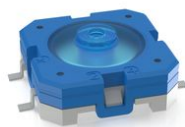


RACON 12 ST, SMT, 9,7 ± 2,5 N, 1 S

Beschreibung



Unsere hochwertigen Kurzhubtaster RACON 12 – in den Abmessungen 12 x 12 mm – zeichnen sich durch einen unverwechselbaren Tastenклик, hohe Schaltsicherheit, ein dichtes Kontaktsystem und Vergussfähigkeit aus. Dadurch wurde der RACON zum Standard in vielen Branchen. Ob in Automotive-Applikationen, Systemen mit Tastenkappen oder Folientastaturen: der RACON überzeugt in der THT- oder SMT-Variante – auch in Ihrer Anwendung.

Die RACON 12 Kurzhubtaster können einzeln, in Reihen oder als Tastenfelder angeordnet werden. Für den Einsatz unter Folie sollten die RACON-Taster mit Stößeln kombiniert werden. Geeignet für die wichtigsten Lötverfahren.

- › Wellen-Lötbad für THT-Versionen
- › Reflow-Löten für SMT-Versionen
- › Dampfphasen-Löten für SMT-Versionen
- › Handlötung
- › Verarbeitung der SMT-Ausführungen mit SMT-Bestückungsautomaten
- › IMDS-Eintrag



Technische Daten

› Allgemein

Farbe	blau
Arbeitstemperatur, min.	-40 °C
Arbeitstemperatur, max.	125 °C
Lagertemperatur, min.	-50 °C
Lagertemperatur, max.	90 °C
beleuchtbar	nein
Lötverfahren	Reflow
Lötwärmebeständigkeit nach Norm	DIN EN 60068-2-58
Verpackung	Blister
Verpackungseinheit	750 Stück
Lebensdauer	65.000 Zyklen
B10	84.500 Zyklen
Schutzart frontseitig gem. ISO 20653	IP67 (IP6K7)
Schutzart rückseitig gem. ISO 20653	IP67 (IP6K7)
MSL Moisture Sensitivity Level	1

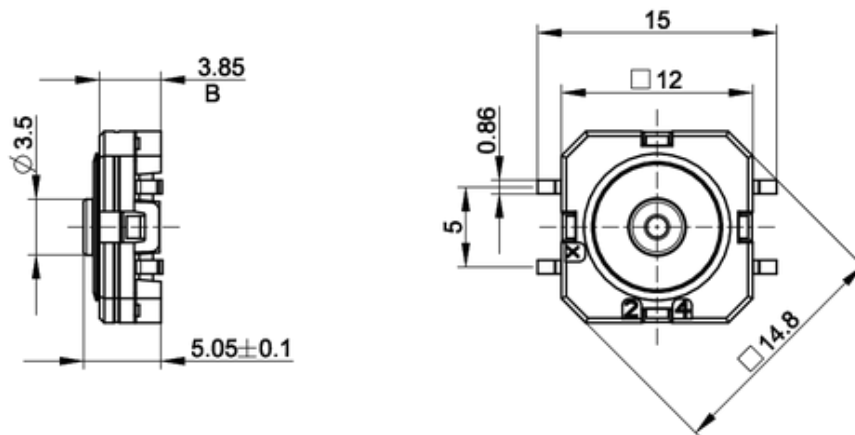
Direkte Links

- › [RAFI eCatalog](#)

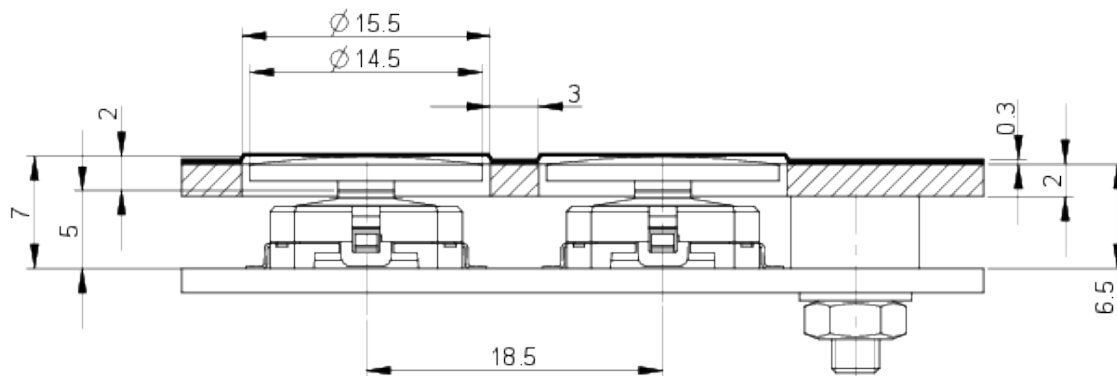
Schadgasprüfung nach Norm	ja
Mindestbestellmenge (MOQ)	750 Stück
RoHS konform	ja
REACH konform	ja
Produktcode	TL
Ursprungsland	DE
> Einbaumaße	
Außenmaß Länge	12 mm
Außenmaß Breite	12 mm
Einbauhöhe	5,05 ± 0.1 mm
Raster, min.	12.50 x 15.24 mm
> Mechanische Kennwerte	
Anschluss rückseitig	SMT
Betätigungsfunktion	tastend
Betätigungskraft, max.	18 N
Betätigungskraft, min.	9,7 ± 2.5 N
Kontaktfunktion	1 S
Kontaktsystem	Sprungkontakt SPST - Single Pole Single Throw
Kontaktwerkstoff	Gold
Lötbarkeit	Ja
Prellzeit bei 10 mm/s	<5 ms
Schaltweg	0,73 ± 0.15 mm
> Elektrische Kennwerte	
Schaltspannung, min.	0,02 V
Schaltspannung, max.	35 V
Schaltstrom, min.	0,00001 A
Schaltstrom, max.	0,1 A
Schaltleistung, max.	1 W

Zeichnungen

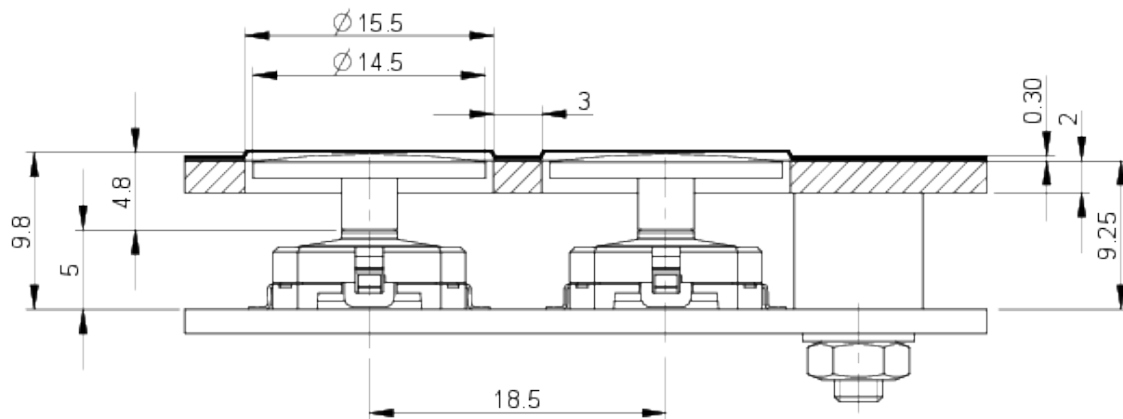
Maß-Zeichnungen



System-Zeichnung

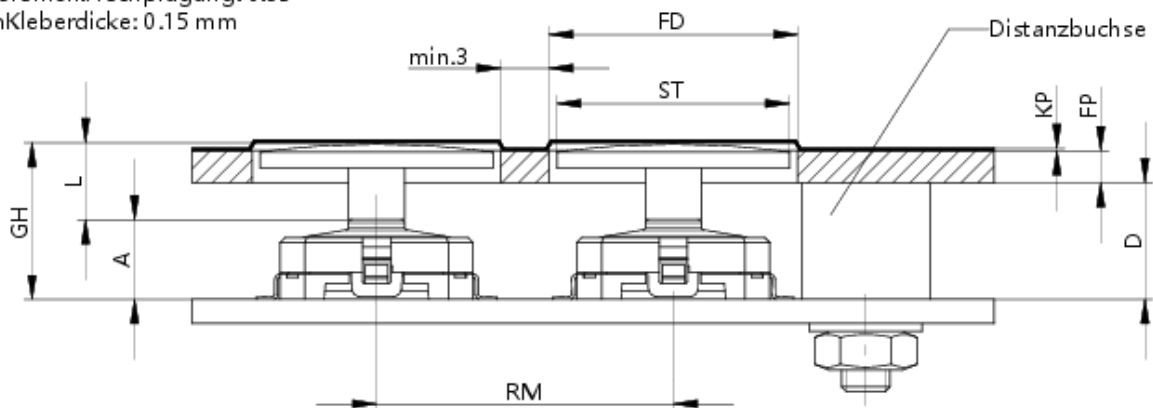


System-Zeichnung

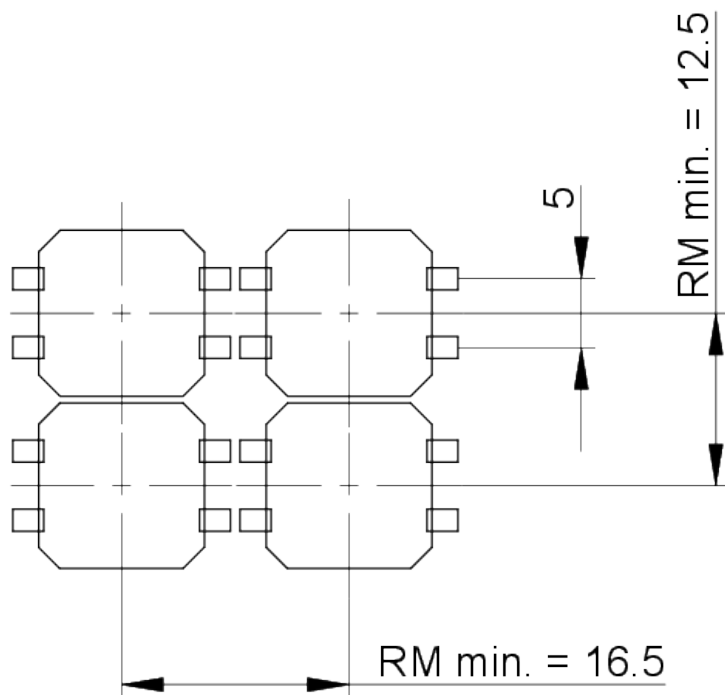


System-Zeichnung

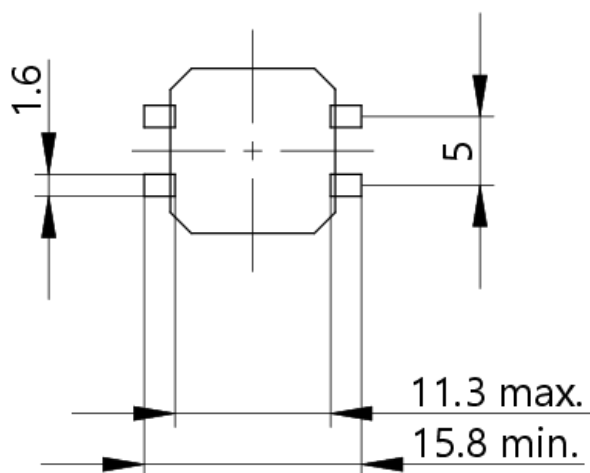
SMT-Gullwing-Anschluss

Empfohlen: Hochprägung: 0.35 mm
Kleberdicke: 0.15 mm

Leiterplatten-Zeichnung

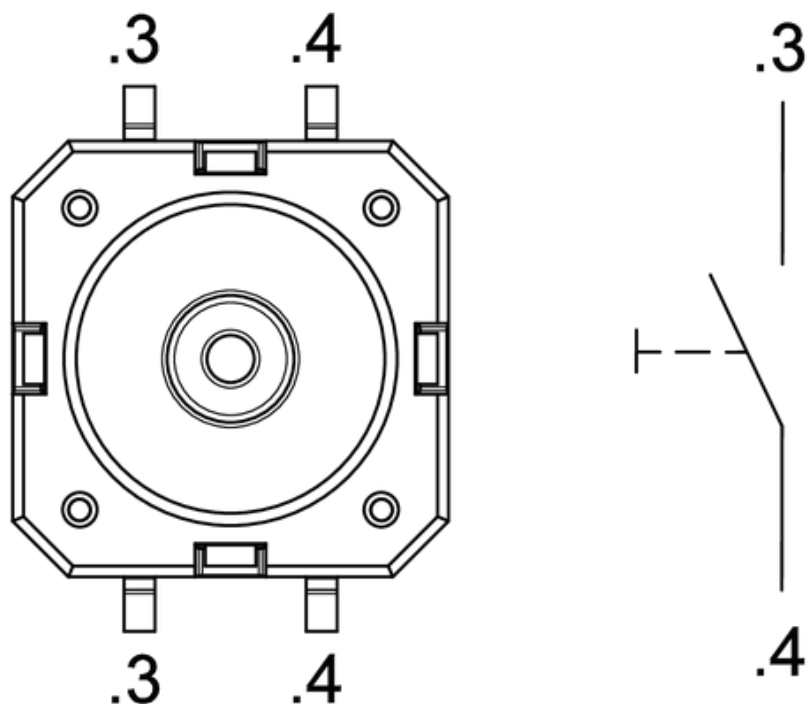


Leiterplatten-Zeichnung

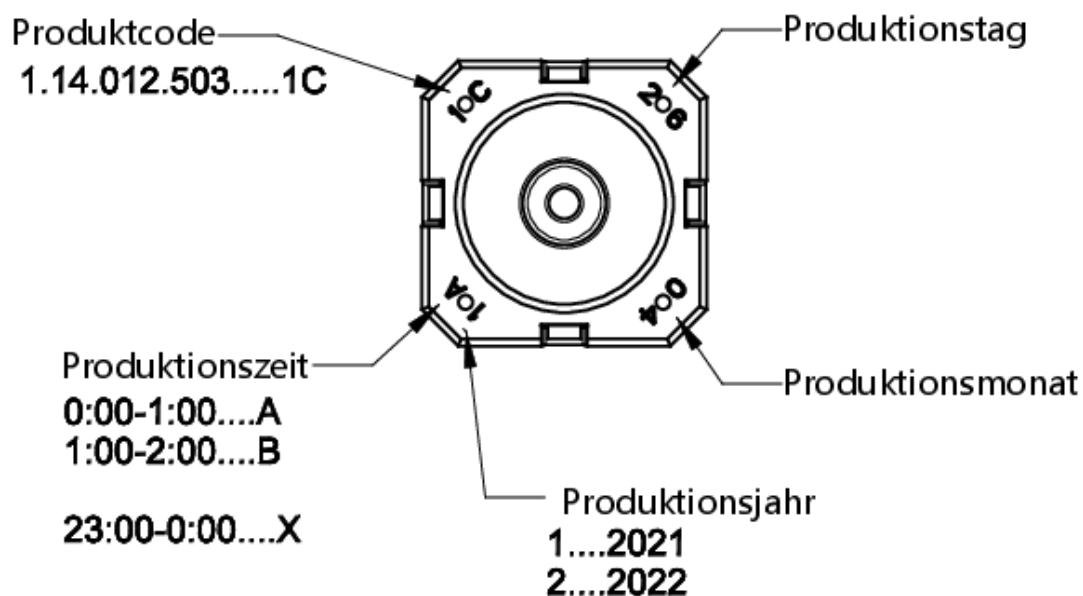


PCB-Pad
Bestückungsseite

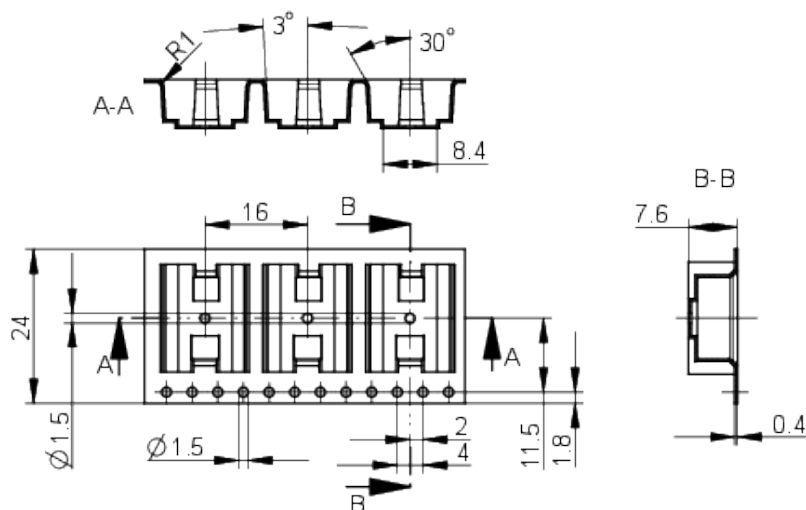
Schaltschema-Zeichnung



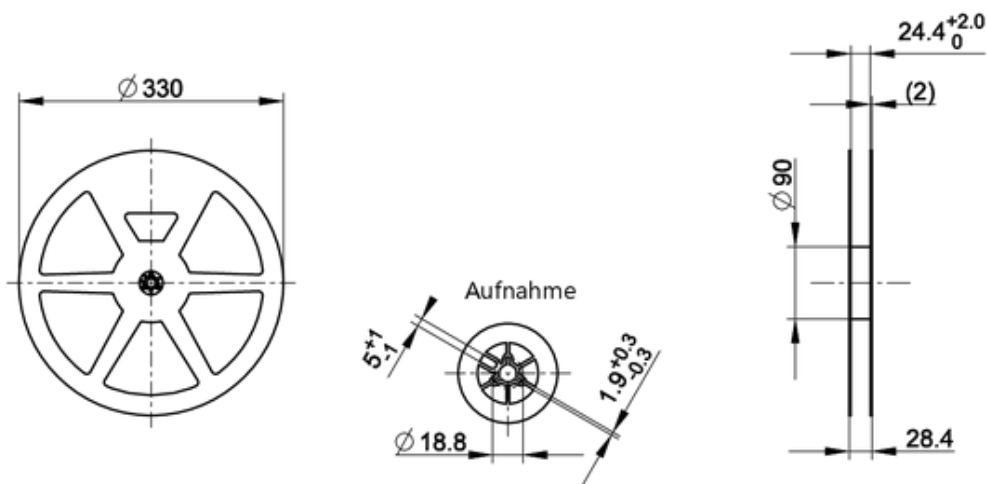
Produktkennzeichnung-Zeichnung



Verpackungs-Zeichnung



Verpackungs-Zeichnung

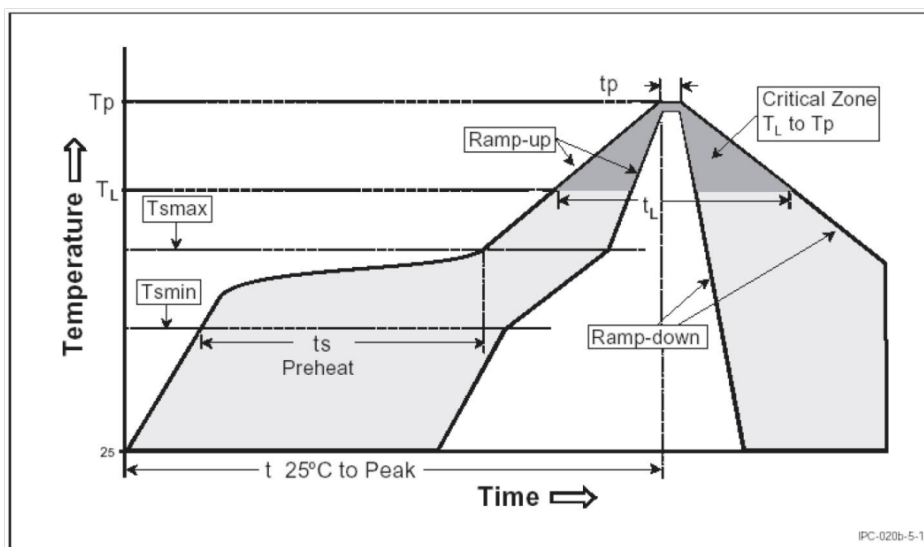


Montage

RAFI soldering profile for ROHS compliant reflow components



Publication date: October 7, 2021



Parameter	RAFI values
Gradient (T_L to T_P)	max. 3°C / s
Preheating zone	
Minimum temperature (T_{smin})	150°C
Maximum temperature (T_{smax})	200°C
Time (from min. to max.) (t_s)	60 - 120 s
Gradient (T_{smax} to T_L)	max. 3°C / s
Time over melting temperature (T_L) time (t_L)	217°C 60 - 150 s
Peak temperature (T_P)	max. 260°C (+0°C)
Time within peak temperature - 5°C (t_p)	20-40 s
Gradient ramp down	max. 6°C / s
Time difference from 25°C to peak temperature	max. 8 minutes

The reflow soldering profile is based on the definition of Jecdec J-STD-020D.

The information in this sheet only contains general descriptions and / or performance features, which may not apply precisely as described to the respective application, and which may change due to further product enhancements. The technical data, illustrations and other information about our products are the mere results of individual technical testing. These descriptions and other product features are only binding if they expressly agreed upon at the time of the conclusion of a binding contract. In all other cases, we reserve the right to make technical changes as well as changes of availability. Pictures and other graphic illustrations are approximations only. All product names may be trademarks or brand names of the RAFI Group or any other sub-supplier of RAFI. The use of such by any third parties for their own purposes may infringe the rights of the respective entity holding those rights. Subject to change and errors excepted. Details about delivery times and availability are noncommittal and have no legal force.

RAFI GmbH & Co. KG
 Ravensburger Str. 128-134, 88276 Berg / Ravensburg
 GERMANY – www.rafi-group.com

page 1 of 1

Media Robust Electronics



Publication date: February 13, 2025

RACON 12 ST

Valid for all variants RACON 12 ST, 1.14.112.5XX-9XX

Recommended potting compounds

WEVO-CHEMIE GmbH

WEVOPUR 7210 FL/WEVONAT 507

WEVOPUR PD4431 FL/WEVONAT 300

STOCKMAIER URETHANES GmbH & Co.KG

Stobicast® L768.16 Polyol/Isocyanat

Important note

Maximum potting height B must not be exceeded.

Recommended circuit board protection

Lackwerke Peters GmbH & Co.KG

**combination of high-viscosity (HT-T)
and low-viscosity coating from the
ELPEGUARD® SL 1307 family**

Lackwerke Peters GmbH & Co.KG

ELPEGUARD® SL 1800

Important note

The conformal coating of our tactile switches must be tested in the final application. Coating that enters the tactile switch does not harden directly, so that any resulting malfunction can only be detected later.

If the tactile switch is completely coated, the coating may peel off the elastomer of the tactile switch during the first few actuations. Press the tactile switch only after the coating has hardened.

We recommend leaving out the elastomer area when coating to prevent detachment.

General remark

The suitability and use of the recommended media for potting, conformal coating and nano-coating must be qualified and approved in the final application.

The potting, conformal coating and nano-coating must be used in accordance with the manufacturer's technical data sheet.

Actuation of the tactile switch only after the potting compound, conformal coating and nano coating has complete hardened.

Other potting compounds and processes for printed circuit board protection on request.

The information in this sheet only contains general descriptions and / or performance features, which may not apply precisely as described to the respective application, and which may change due to further product enhancements. The technical data, illustrations and other information about our products are the mere results of individual technical testing. These descriptions and other product features are only binding if they expressly agreed upon at the time of the conclusion of a binding contract. In all other cases, we reserve the right to make technical changes as well as changes of availability. Pictures and other graphic illustrations are approximations only. All product names may be trademarks or brand names of the RAFI Group or any other sub-supplier of RAFI. The use of such by any third parties for their own purposes may infringe the rights of the respective entity holding those rights. Subject to change and errors excepted. Details about delivery times and availability are noncommittal and have no legal force.

RAFI GmbH & Co. KG

A RAFI Group company
Ravensburger Straße 128-134, 88276 Berg, Germany
P +49 751 89-0, F +49 751 89-1300
info.headquarters@rafi-group.com, rafi-group.com

page 1 of 1