

MICON 5, SMT low, 3.6 ± 0.7 N, 1 NO

LBL_NRFND



Description

MICON 5 tactile switches offer extreme switching reliability, with a very small space requirement. They can be arranged individually, in rows or as key blocks. For use beneath overlays, we recommend combining the MICON 5 tactile switches with plungers. Here are the properties at a glance:

- › Suitable for the most important soldering techniques
- › Soldering bath for THT versions
- › Reflow soldering for SMT versions
- › Vapor phase soldering for SMT versions
- › Manual soldering
- › Processing of the SMT design with SMT automatic assembly machines
- › IMDS entry

MICON 5, SMT low with a height of only 3.45 mm Processing information: Special pipette (Siemens Siplace order no. 348514-02) Mounting with revolver head. Suggestion for stencil printing: 150 µm stencil with 10% pad reduction on surface



technical data

› general

Operating temperature, min.	-40 °C
Operating temperature, max.	90 °C
Storage temperature, min.	-40 °C
Storage temperature, max.	90 °C
illuminated	No
Soldering	Reflow
Solder heat resistance according to standard	DIN EN 60068-2-58 DIN EN 61760-1
Packaging	Blister
Packaging unit	2,100 pcs.
Net weight	0.3 g
Operating life	250,000 cycles
B10	325,000 cycles
MSL Moisture Sensitivity Level	1
Shock resistance according to standard IEC 60068-2-27	100 g at 6 ms amplitude semi-sinusoidal
Oscillation resistance according to standard IEC 60068-2-6	5 g at 10...500 Hz
Minimum order quantity (MOQ)	2,100 pcs.
RoHS compliant	Yes
REACH compliant	Yes
Product code	T

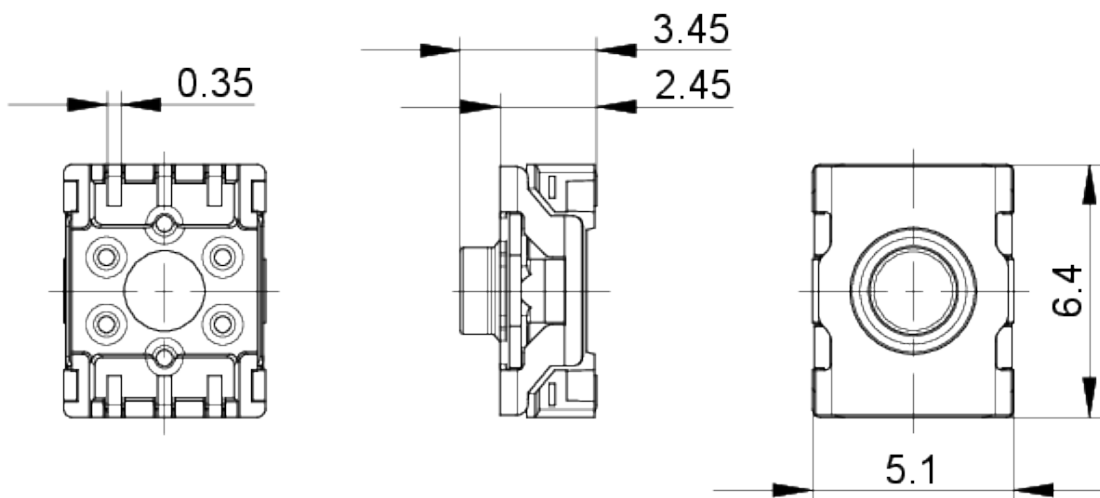
direct links

- › [RAFI eCatalog](#)

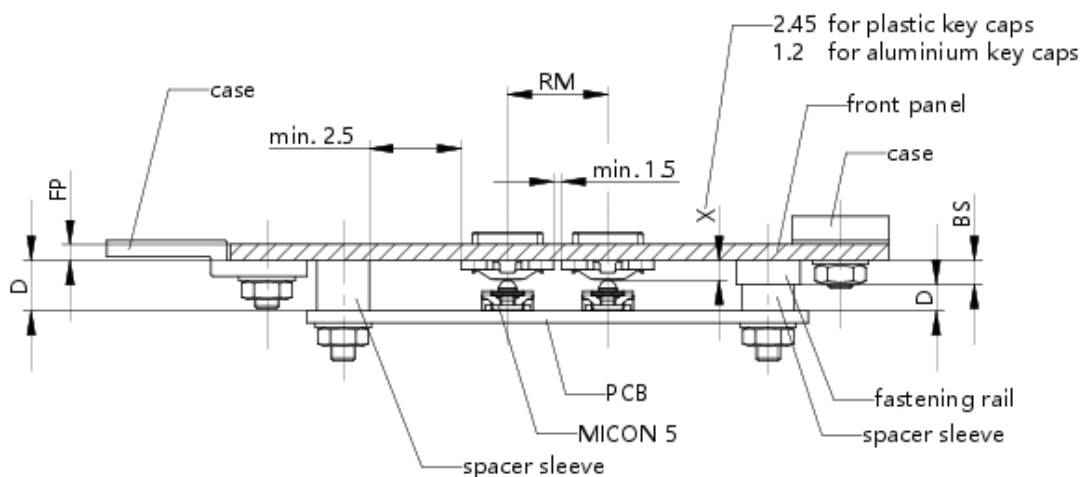
Country of origin	DE
> mounting diameters	
Outside dimension, length	6.4 ± 0.1 mm
Outside dimension, width	5.1 ± 0.1 mm
Installation height	3.45 ± 0.1 mm
Grid, min.	6 x 7.8 mm
> mechanical data	
Terminal on the rear	SMT
Actuation function	momentary contact function
Operating force, max.	6 N
Operating force, min.	3.6 ± 0.7 N
Contact function	1 NO
Contact system	Snap-action contact SPST - Single Pole Single Throw
Contact material	Gold
Solderability	Yes
Switching travel	0.7 ± 0.15 mm
> electrical data	
Rated voltage, min.	0.02 V
Rated voltage, max.	35 V
Dielectric strength	250 V
Rated current, min.	0.00001 A
Rated current, max.	0.1 A
Rated power, max.	1 W

drawings

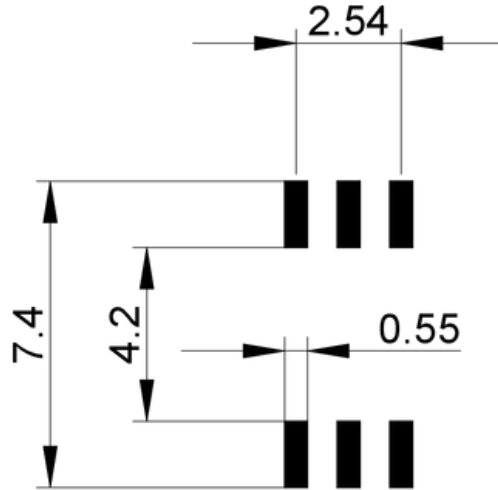
Dimensioned drawing



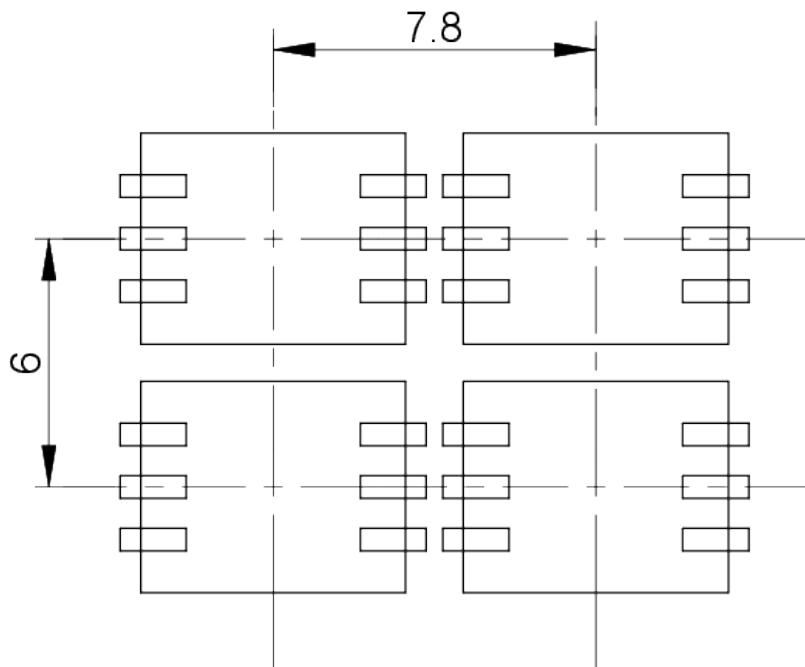
System drawing



PCB drawing



PCB drawing



MICON 5 SMT

Schematic diagram

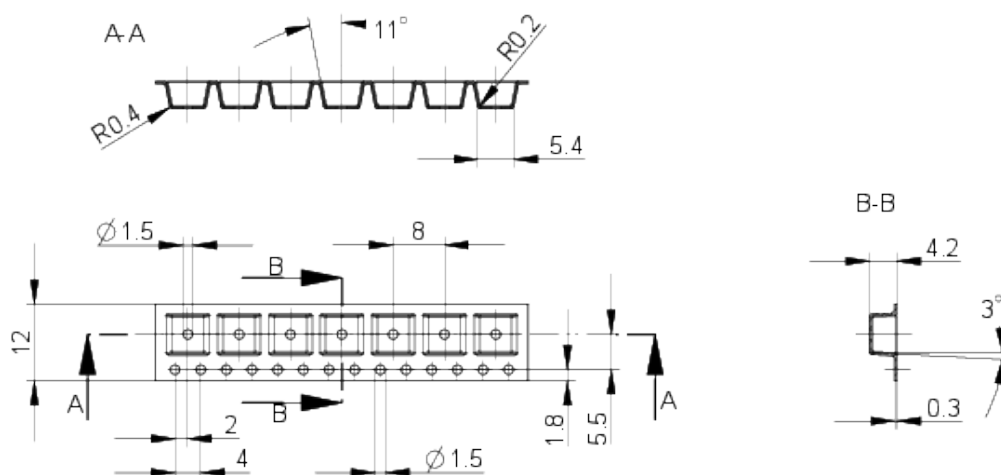


Circuit symbol according to IEC 617

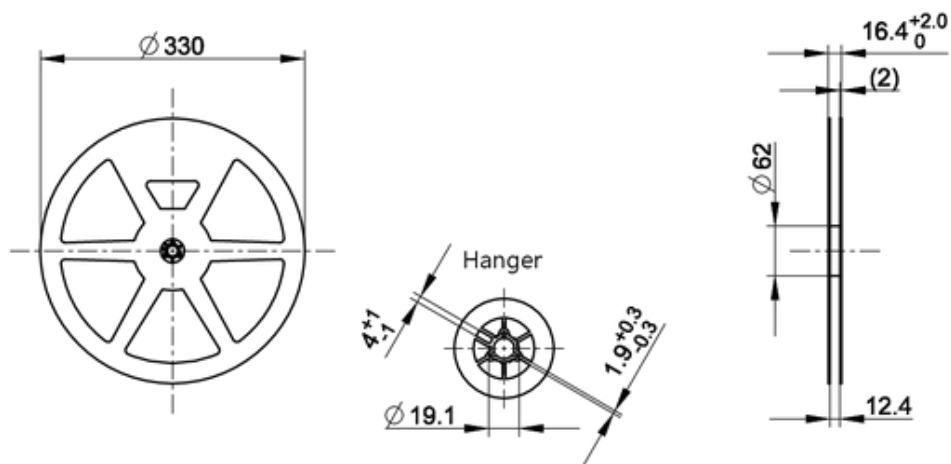
Product labeling drawing



Packaging drawing



Packaging drawing

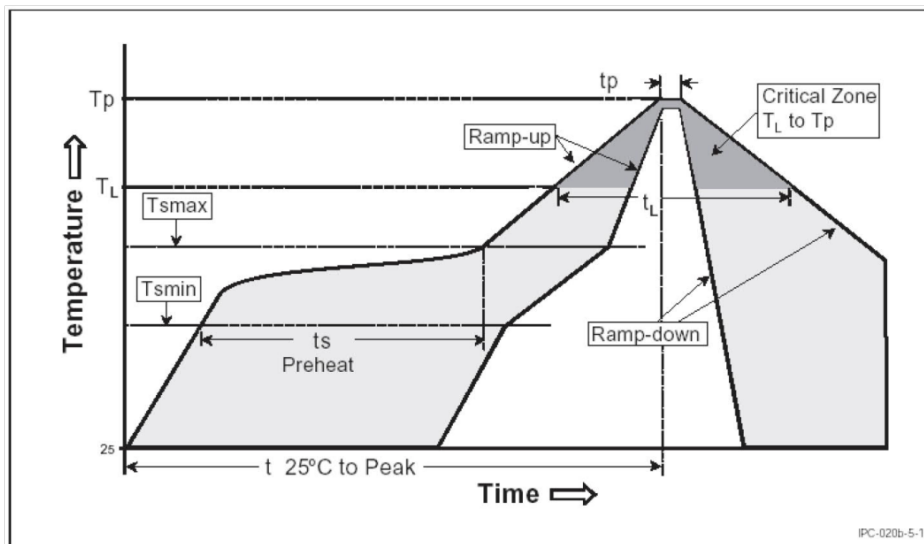


mounting

RAFI soldering profile for ROHS compliant reflow components



Publication date: October 7, 2021



Parameter	RAFI values
Gradient (T_L to T_P)	max. 3°C / s
Preheating zone	
Minimum temperature (T_{smin})	150°C
Maximum temperature (T_{smax})	200°C
Time (from min. to max.) (t_s)	60 - 120 s
Gradient (T_{smax} to T_L)	max. 3°C / s
Time over melting temperature (T_L) time (t_L)	217°C 60 - 150 s
Peak temperature (T_P)	max. 260°C (+0°C)
Time within peak temperature - 5°C (t_p)	20-40 s
Gradient ramp down	max. 6°C / s
Time difference from 25°C to peak temperature	max. 8 minutes

The reflow soldering profile is based on the definition of Jecdec J-STD-020D.

The information in this sheet only contains general descriptions and / or performance features, which may not apply precisely as described to the respective application, and which may change due to further product enhancements. The technical data, illustrations and other information about our products are the mere results of individual technical testing. These descriptions and other product features are only binding if they expressly agreed upon at the time of the conclusion of a binding contract. In all other cases, we reserve the right to make technical changes as well as changes of availability. Pictures and other graphic illustrations are approximations only. All product names may be trademarks or brand names of the RAFI Group or any other sub-supplier of RAFI. The use of such by any third parties for their own purposes may infringe the rights of the respective entity holding those rights. Subject to change and errors excepted. Details about delivery times and availability are noncommittal and have no legal force.

RAFI GmbH & Co. KG
Ravensburger Str. 128-134, 88276 Berg / Ravensburg
GERMANY – www.rafi-group.com

page 1 of 1