

KN 19, 2 NO, 14.0 ± 3.0 N

Description



KN 19 offers the possibility of integrating the mains switch (250 V / 6A) directly into the low-profile data entry system. This means there is no need for extra switches on the device and therefore no additional openings in the overlay. This enables optimal device safety and uniform design. The contact opening widths comply with the VDE guidelines. The KN 19 can also be used under RK 90 keycaps.



technical data

> general

Operating temperature, min.	-25 °C
Operating temperature, max.	70 °C
Storage temperature, min.	-40 °C
Storage temperature, max.	70 °C
illuminated	Yes
Luminous elements	LED
Soldering time for manual soldering, max.	3 sec
Soldering temperature for manual soldering	350 °C
Soldering	Manual / wave
Packaging	Tube
Packaging unit	12 pcs.
Net weight	9 g
Operating life electrical	100,000 (6A / 250V AC) cycles 50.000 (5A / 50V DC) cycles
B10 electrical	130.000 (6A / 250V AC) cycles 65.000 (10A / 50V DC) cycles
Degree of protection, front side, according to DIN EN 60529	IP40
Minimum order quantity (MOQ)	12 pcs.
RoHS compliant	Yes
REACH compliant	Yes
Country of origin	HU

> mounting diameters

Outside dimension, length	37.8 mm
Outside dimension, width	18.8 mm
Outside dimension, height	9.7 mm
Installation height	9.7 mm
Grid, min.	19.05 x 38.1 mm

> mechanical data

Terminal on the rear	THT
Fixing	Soldering

direct links

> [RAFI eCatalog](#)

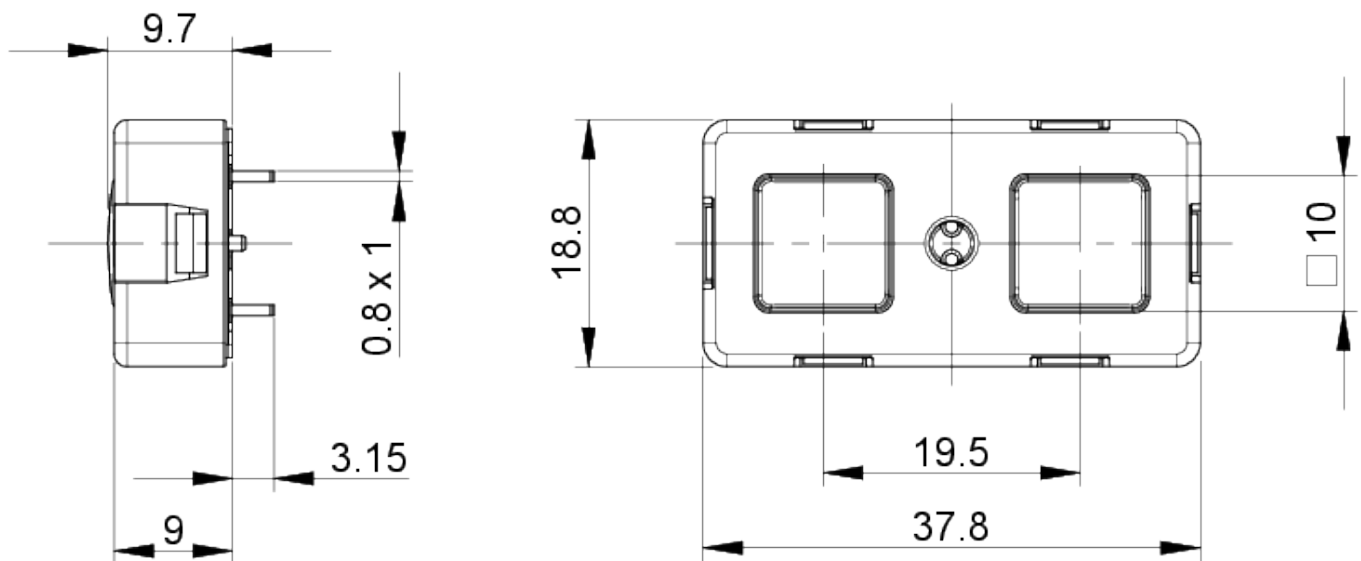
Actuation function	latching
Operating force, max.	100 N
Operating force, min.	14 ± 3.0 N
Contact function	2 NO
Contact system	Bridge-snap-action contact
Contact material	Silver
Solderability	Yes
Bounce time at 10 mm/s	<10 ms
Switching travel	0.55 ± 0.15 mm

> electrical data

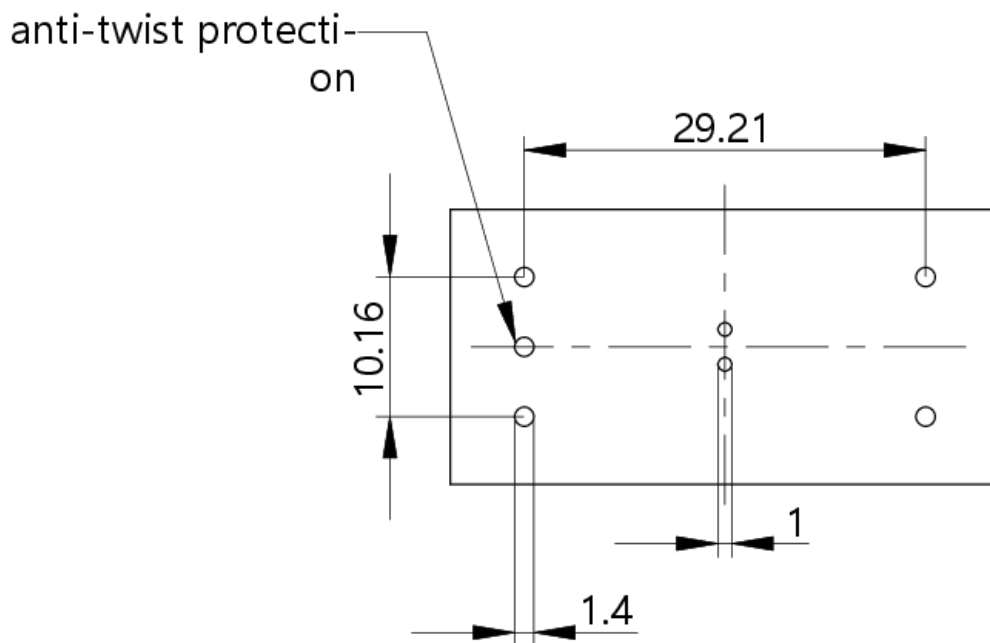
Rated voltage, min.	12 V
Rated voltage, max.	250 V
Rated current, min.	0.1 A
Rated current, max.	6 A
Rated power, max. DC	250 W

drawings

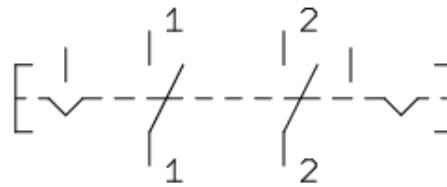
Dimensioned drawing



PCB drawing



Schematic diagram



2 NO