

RAMO 30 F, RJ45, round collar, frontring stainless steel, RJ 45 CAT 5



Description

Cable feed-through for front panels. Front side USB 3.0 or RJ45, rear side with corresponding sockets in the housing or 55 cm cable and socket.



technical data

> general

| | |
|---|--|
| Collar color | slate gray |
| Front ring color | stainless steel |
| Collar shape | round |
| Operating temperature, min. | -25 °C |
| Operating temperature, max. | 70 °C |
| Storage temperature, min. | -40 °C |
| Storage temperature, max. | 90 °C |
| illuminated | No |
| Packaging | Box |
| Packaging unit | 2 pcs. |
| Net weight | 31.3 g |
| Operating life | 750 cycles |
| Degree of protection, front side, according to DIN EN 60529 | IP65 with sealing cap |
| Environment resistance | IEC 60068-2-14 IEC 60068-2-30 IEC 60068-2-78 |
| Impact resistance IK | 05 side 06 frontal |
| Minimum order quantity (MOQ) | 2 pcs. |
| RoHS compliant | Yes |
| REACH compliant | Yes |
| Country of origin | HU |

> mounting diameters

| | |
|---------------------------|----------|
| Outside dimension, length | 34.5 mm |
| Outside dimension, width | 34.5 mm |
| Outside dimension, height | 45.43 mm |
| Mounting hole | 30.3 mm |
| Mounting depth | 40.26 mm |
| Installation height | 5.17 mm |
| Grid, min. | 35 mm |

direct links

> [RAFI eCatalog](#)

Collar dimension 34.5 mm

> **mechanical data**

Front side terminal RJ 45 CAT 5

Terminal on the rear RJ 45 CAT 5

Fixing Threaded ring

Threaded ring torque, max. 1.2 Nm

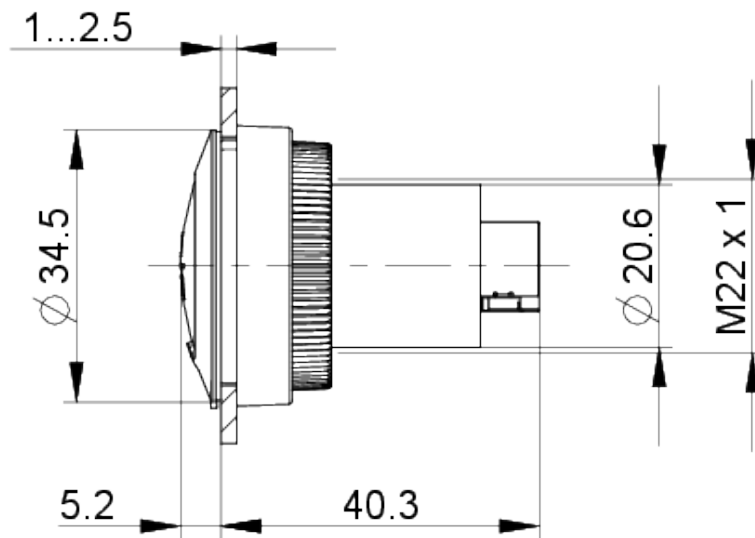
> **Specifications according to UL 60947**

UL Enclosure Type Rating front side type 4X indoor

Operating temperature, max. to UL/TÜV 70 °C

drawings

Dimensioned drawing



Mounting hole drawing

