

RAMO 30 I, M12, round collar, lamp white, bezel white, M12 4-pin A-coded



Description

RAMO I signal lamps extend the range with a bright, energy-efficient signal lamp. The concave bezel means the reflected beam angle and angle of vision are more than 180°. It also provides a different look to the RAMO T pushbuttons. The signal lamp is available in five colors. Just like all RAMO actuators, connection is simple using Plug&Play and without any manual wiring – with M12 sensor cables.

With the RAMO I FLEXLAB signal lamps an individual configuration of the lens color and labeling is possible by the customer. This allows maximum flexibility. Lenses are additionally required as accessories.



technical data

> general

Color	black
Bezel color	white
Property of bezel / mushroom	translucent
Collar color	black
Front ring color	stainless steel
Luminous element color	white
Collar shape	round
Operating temperature, min.	-40 °C
Operating temperature, max.	85 °C
Storage temperature, min.	-40 °C
Storage temperature, max.	85 °C
illuminated	Yes
Luminous elements	LED
Packaging	Box
Packaging unit	10 pcs.
Net weight	22.4 g
Degree of protection, front side, according to DIN EN 60529	IP66 IP67 IP69
Degree of protection, rear side, according to DIN EN 60529	IP66 IP67
Environment resistance	IEC 60068-2-14 IEC 60068-2-30 IEC 60068-2-78

direct links

> [RAFI eCatalog](#)

Salt-spray resistance according to standard	IEC 60068-2-11
Impact resistance IK	04
Minimum order quantity (MOQ)	10 pcs.
Pollution degree acc. to DIN EN 61010-1	Pollution degree 2
RoHS compliant	Yes
REACH compliant	Yes
Country of origin	HU
> mounting diameters	
Outside dimension, length	34.5 mm
Outside dimension, width	34.5 mm
Outside dimension, height	41.8 mm
Mounting hole	30.3 mm
Mounting depth	36.4 mm
Installation height	5.4 mm
Grid, min.	35 mm
> mechanical data	
Terminal on the rear	M12 4-pin A-coded
Fixing	Threaded ring
Threaded ring torque, max.	1.2 Nm
Resistance to force on the side	300 N
PIN 2	LED +
PIN 3	GND
> electrical data	
Rated insulation voltage	250 V
Rated surge voltage	800 V
Operating voltage of the luminous element, min.	20 V
Operating voltage of the luminous element, max.	28 V
Voltage type	DC
Rated operating current	0.01 A
Rated operating voltage	20-28 V
Operating current of the luminous element, min.	8 mA
Operating current of the luminous element, max.	12 mA
Power loss	0.70000 W
Overvoltage category	2
Kind of short circuit protective device	fuse 250 V / 0,1 A / 1,5 kA gG quick
Conditional short circuit current	1,000 A
> Specifications according to IEC 60947-5-1	
Rated operating voltage	DC 20 - 28 V
Rated surge voltage	800 V
> Specifications according to UL 60947	

UL Enclosure Type Rating front side	type 4X indoor
Operating temperature, max. to UL/TÜV	70 °C

Use according to UL:

Only approved for Class 2 power sources or limited voltage/current.

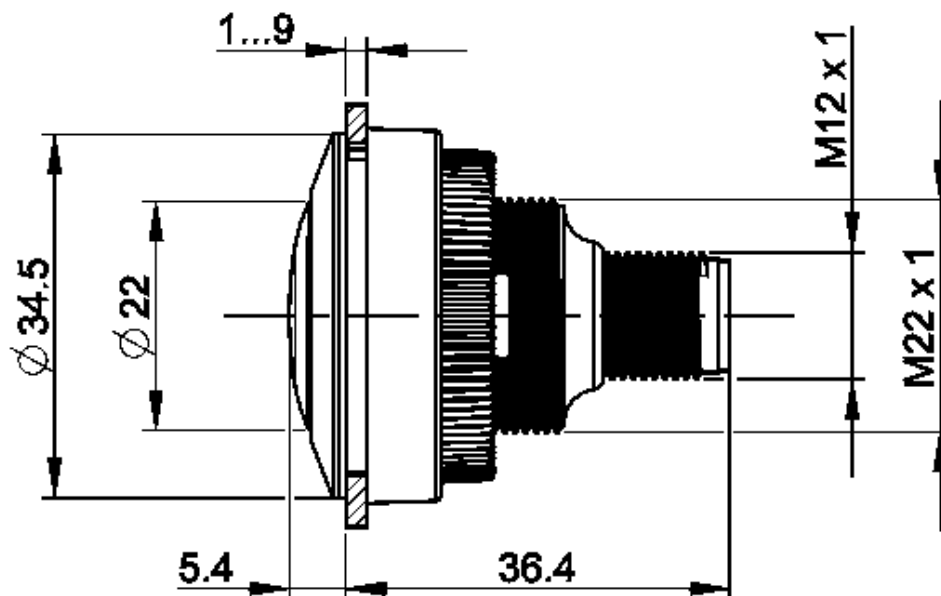
Installation only by trained personnel.

Type 4x Indoor only with cable "Cat. No. 7000-08061-0210100 PUR 4x0.25mm² with M8 plug, rated power max. 30VAC/DC 4A, manufactured by Murrelektronik GmbH" and "Cat. No. 7000-12221-0340100 PUR 4x0.34mm² with M12 connector, rated power max. 30VAC/DC 4A, manufactured by Murrelektronik GmbH" and "Cat. 30VAC/DC 4A, Manufacturer Murrelektronik GmbH" and "Cat. No. 7000-12221-0340100.

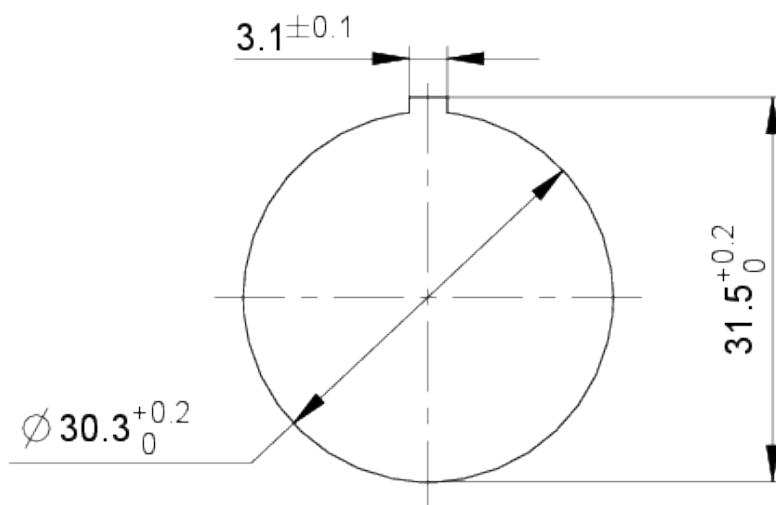
For use on a flat surface of a type 1 or type 4x enclosure (indoor).

drawings

Dimensioned drawing



Mounting hole drawing



Schematic diagram

