

# RAMO 30 K, M12, round collar, 2 NO, Gold, M12 4-pin A-coded, frontring stainless steel, 2 x 90°, latching, key removal position 0+1+2



## Description

RAMO K key switches offer a solution for every application thanks to a wide variety of contact functions, rotation angles, actuation functions, trigger positions and closures. Just like all RAMO actuators, connection is simple using Plug&Play and without any manual wiring - with M12 sensor cables.



## technical data

### > general

|   |  |
|---|--|
| Potential free  | no   |
| Color   | black  |
| Collar color  | black  |
| Front ring color  | stainless steel                                    |
| Collar shape  | round  |
| Operating temperature, min.                                 | -40 °C   |
| Operating temperature, max.                                 | 85 °C  |
| Storage temperature, min.                                   | -40 °C   |
| Storage temperature, max.                                   | 90 °C  |
| illuminated   | No   |
| Packaging   | Box  |
| Packaging unit  | 2 pcs.   |
| Net weight  | 55.5 g   |
| Operating life  | 50,000 cycles                                      |
| B10   | 62,627 cycles                                      |
| Degree of protection, front side, according to DIN EN 60529 | IP65   |
| Degree of protection, rear side, according to DIN EN 60529  | IP65   |
| Environment resistance                                      | IEC 60068-2-14<br>IEC 60068-2-30<br>IEC 60068-2-78 |
| Shock resistance according to standard IEC 60068-2-27       | 30 g at 11 ms amplitude semi-sinusoidal            |
| Salt-spray resistance according to standard                 | IEC 60068-2-11                                     |
| Impact resistance IK  | 05 side<br>04 frontal                              |
| Oscillation resistance according to standard IEC 60068-2-6  | 5 g at 10...500 Hz                                 |

### direct links

> [RAFI eCatalog](#)

|   |  |
|---|--|
| Minimum order quantity (MOQ)                          | 2 pcs.   |
| Pollution degree acc. to DIN EN 61010-1               | Pollution degree 2                                 |
| RoHS compliant  | Yes  |
| REACH compliant                                       | Yes  |
| Country of origin                                     | HU   |
| <b>&gt; mounting diameters</b>                        |  |
| Outside dimension, length                             | 34.5 mm  |
| Outside dimension, width                              | 34.5 mm  |
| Outside dimension, height                             | 75.1 mm  |
| Mounting hole   | 30.3 mm  |
| Mounting depth  | 36.3 mm  |
| Installation height                                   | 13.7 mm  |
| Grid, min.  | 35 mm  |
| <b>&gt; mechanical data</b>                           |  |
| Key removal position                                  | 0+1+2  |
| Terminal on the rear                                  | M12 4-pin A-coded                                  |
| Fixing  | Threaded ring                                      |
| Actuation function                                    | latching   |
| Operating force, max.                                 | 1.3 N  |
| Threaded ring torque, max.                            | 1.2 Nm   |
| Rotating angle  | 2 x 90°  |
| Resistance to force on the side                       | 300 N  |
| Contact function                                      | 2 NO   |
| Contact material                                      | Gold   |
| PIN 1   | Normally open contact 1<br>Normally open contact 2 |
| PIN 2   | Normally open contact 2                            |
| PIN 4   | Normally open contact 1                            |
| Locking position                                      | 001  |
| <b>&gt; electrical data</b>                           |  |
| Rated insulation voltage                              | 250 V  |
| Rated surge voltage                                   | 2,500 V  |
| Rated voltage, min.                                   | 1 V  |
| Rated voltage, max.                                   | 32 V   |
| Voltage type  | DC   |
| Rated operating current                               | 0.1 A  |
| Rated operating voltage                               | 1-32 V   |
| Rated current, max.                                   | 0.1 A  |
| Power loss  | 0.00080 W  |
| Overvoltage category                                  | 2  |
| Kind of short circuit protective device               | fuse 250 V / 0,1 A / 1,5 kA gG quick               |
| Conditional short circuit current                     | 1,000 A  |
| <b>&gt; Specifications according to IEC 60947-5-1</b> |  |
| Rated operating voltage                               | 35 V (AC-15)<br>35 V (DC-13)                       |

Rated surge voltage 2,500 V

➤ **Specifications according to UL 60947**

UL Enclosure Type Rating front side type 4X indoor

Operating temperature, max. to UL/TÜV 85 °C

### Use according to UL:

---

Only approved for Class 2 power sources or limited voltage/current.

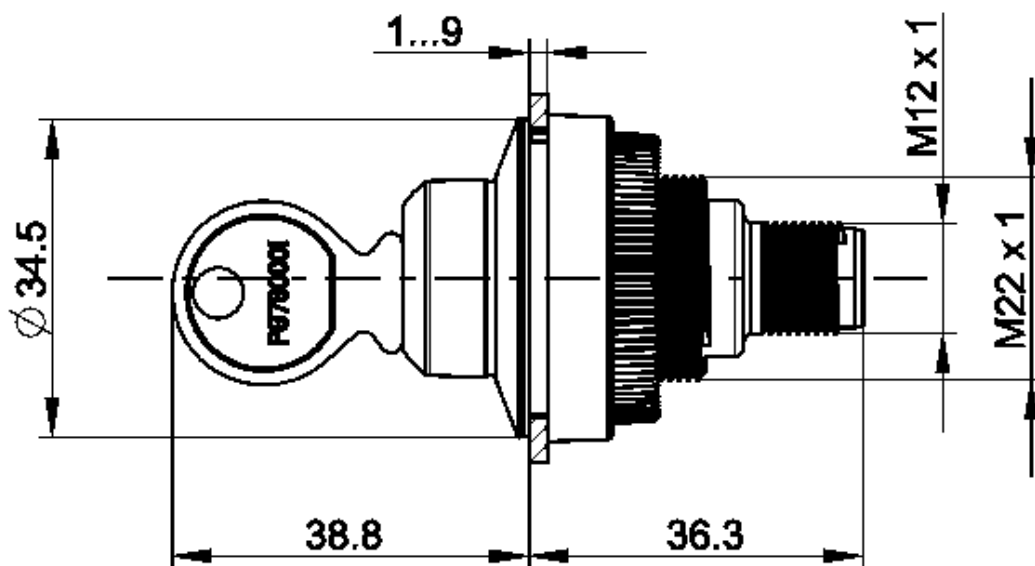
Installation only by trained personnel.

Type 4x Indoor only with cable "Cat. No. 7000-08061-0210100 PUR 4x0.25mm<sup>2</sup> with M8 plug, rated power max. 30VAC/DC 4A, manufactured by Murrelektronik GmbH" and "Cat. No. 7000-12221-0340100 PUR 4x0.34mm<sup>2</sup> with M12 connector, rated power max. 30VAC/DC 4A, manufactured by Murrelektronik GmbH" and "Cat. 30VAC/DC 4A, Manufacturer Murrelektronik GmbH" and "Cat. No. 7000-12221-0340100.

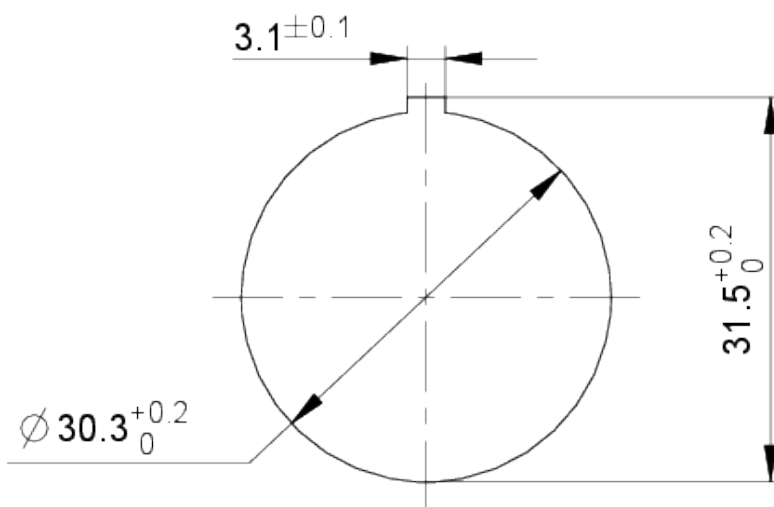
For use on a flat surface of a type 1 or type 4x enclosure (indoor).

**drawings**

**Dimensioned drawing**



**Mounting hole drawing**



**Schematic diagram**

