

## RAMO 30 K, M12, round collar, 1 NC + 1 NO, Gold, M12 4-pin A-coded, frontring stainless steel, 1 x 90°, shape V, latching, key removal position 0



### Description

RAMO K key switches offer a solution for every application thanks to a wide variety of contact functions, rotation angles, actuation functions, trigger positions and closures. Just like all RAMO actuators, connection is simple using Plug&Play and without any manual wiring - with M12 sensor cables.



### technical data

#### > general

Potential free	no
Color	black
Collar color	black
Front ring color	stainless steel
Collar shape	round
Operating temperature, min.	-40 °C
Operating temperature, max.	85 °C
Storage temperature, min.	-40 °C
Storage temperature, max.	90 °C
illuminated	No
Packaging	Box
Packaging unit	2 pcs.
Net weight	55.5 g
Operating life	50,000 cycles
B10	62,627 cycles
Degree of protection, front side, according to DIN EN 60529	IP65
Degree of protection, rear side, according to DIN EN 60529	IP65
Environment resistance	IEC 60068-2-14 IEC 60068-2-30 IEC 60068-2-78
Shock resistance according to standard IEC 60068-2-27	30 g at 11 ms amplitude semi-sinusoidal
Salt-spray resistance according to standard	IEC 60068-2-11
Impact resistance IK	05 side 04 frontal
Oscillation resistance according to standard IEC 60068-2-6	5 g at 10...500 Hz

#### direct links

> RAFI eCatalog

Minimum order quantity (MOQ)	2 pcs.
Pollution degree acc. to DIN EN 61010-1	Pollution degree 2
RoHS compliant	Yes
REACH compliant	Yes
Country of origin	HU
<b>&gt; mounting diameters</b>	
Outside dimension, length	34.5 mm
Outside dimension, width	34.5 mm
Outside dimension, height	75.1 mm
Mounting hole	30.3 mm
Mounting depth	36.3 mm
Installation height	13.7 mm
Grid, min.	35 mm
<b>&gt; mechanical data</b>	
Key removal position	0
Terminal on the rear	M12 4-pin A-coded
Fixing	Threaded ring
Actuation function	latching
Operating force, max.	1.3 N
Threaded ring torque, max.	1.2 Nm
Rotating angle	1 x 90°, shape V
Resistance to force on the side	300 N
Contact function	1 NC + 1 NO
Contact material	Gold
PIN 1	Normally closed contact 1 Normally open contact 1
PIN 2	Normally open contact 2
PIN 4	Normally open contact 1
Locking position	019
<b>&gt; electrical data</b>	
Rated insulation voltage	250 V
Rated surge voltage	2,500 V
Rated voltage, min.	1 V
Rated voltage, max.	32 V
Voltage type	DC
Rated operating current	0.1 A
Rated operating voltage	1-32 V
Rated current, max.	0.1 A
Power loss	0.00080 W
Overvoltage category	2
Kind of short circuit protective device	fuse 250 V / 0,1 A / 1,5 kA gG quick
Conditional short circuit current	1,000 A
<b>&gt; Specifications according to IEC 60947-5-1</b>	
Rated operating voltage	35 V (AC-15) 35 V (DC-13)

Rated surge voltage 2,500 V

> **Specifications according to UL 60947**

UL Enclosure Type Rating front side type 4X indoor

Operating temperature, max. to UL/TÜV 85 °C

### Use according to UL:

---

Only approved for Class 2 power sources or limited voltage/current.

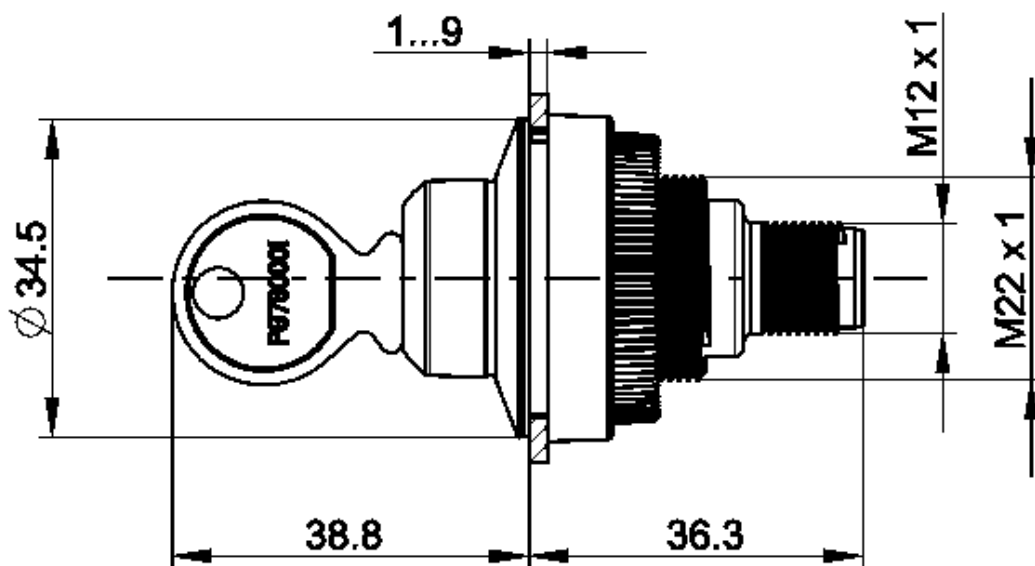
Installation only by trained personnel.

Type 4x Indoor only with cable "Cat. No. 7000-08061-0210100 PUR 4x0.25mm<sup>2</sup> with M8 plug, rated power max. 30VAC/DC 4A, manufactured by Murrelektronik GmbH" and "Cat. No. 7000-12221-0340100 PUR 4x0.34mm<sup>2</sup> with M12 connector, rated power max. 30VAC/DC 4A, manufactured by Murrelektronik GmbH" and "Cat. 30VAC/DC 4A, Manufacturer Murrelektronik GmbH" and "Cat. No. 7000-12221-0340100.

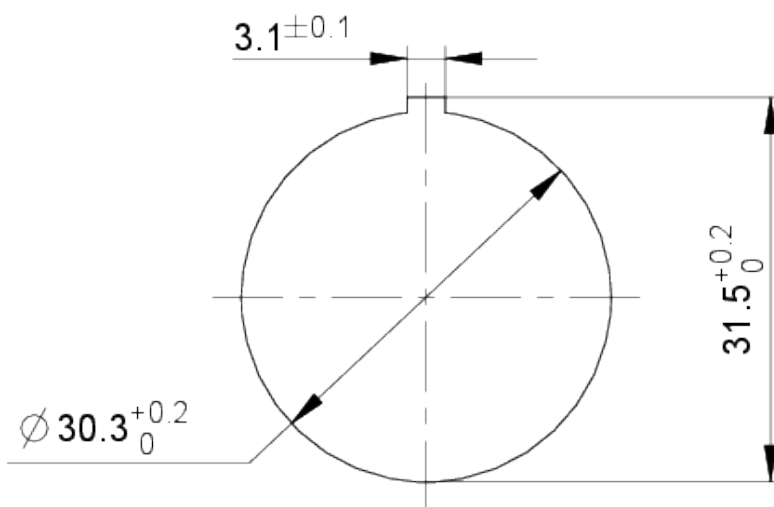
For use on a flat surface of a type 1 or type 4x enclosure (indoor).

**drawings**

**Dimensioned drawing**



**Mounting hole drawing**



**Schematic diagram**

