

RAMO 30 S, M12, round collar, 2 NO, Gold, M12 8-pin A-coded, frontring stainless steel, 2 x 60°, latching



Description

The RAMO S selector switches offer a solution for every application thanks to a wide variety of contact functions, rotation angles, actuation functions and illuminated panels.

Just like all RAMO actuators, connection is simple using Plug&Play and without any manual wiring - with M12 sensor cables.



technical data

> general

Potential free	no
Color	black
Collar color	black
Front ring color	stainless steel
Collar shape	round
Operating temperature, min.	-40 °C
Operating temperature, max.	85 °C
Storage temperature, min.	-40 °C
Storage temperature, max.	90 °C
illuminated	Yes
Packaging	Box
Packaging unit	2 pcs.
Net weight	22.2 g
Operating life	200,000 cycles
B10	250,000 cycles
Degree of protection, front side, according to DIN EN 60529	IP65
Degree of protection, rear side, according to DIN EN 60529	IP65
Environment resistance	IEC 60068-2-14 IEC 60068-2-30 IEC 60068-2-78
Shock resistance according to standard IEC 60068-2-27	30 g at 11 ms amplitude semi-sinusoidal
Salt-spray resistance according to standard	IEC 60068-2-11
Impact resistance IK	01 side 08 frontal

direct links

> [RAFI eCatalog](#)

1.11.021.025/0220

Oscillation resistance according to standard IEC 60068-2-6	5 g at 10...500 Hz
Minimum order quantity (MOQ)	2 pcs.
Pollution degree acc. to DIN EN 61010-1	Pollution degree 2
RoHS compliant	Yes
REACH compliant	Yes
Country of origin	HU
> mounting diameters	
Outside dimension, length	34.5 mm
Outside dimension, width	34.5 mm
Outside dimension, height	53.9 mm
Mounting hole	30.3 mm
Mounting depth	36.3 mm
Installation height	17.6 mm
Grid, min.	35 mm
> mechanical data	
Terminal on the rear	M12 8-pin A-coded
Fixing	Threaded ring
Actuation function	latching
Threaded ring torque, max.	1.2 Nm
Rotating angle	2 x 60°
Resistance to force on the side	300 N
Contact function	2 NO
Contact material	Gold
PIN 1	Normally open contact 1 Normally open contact 2
PIN 2	Normally open contact 2
PIN 3	GND
PIN 4	Normally open contact 1
PIN 5	LED +
> electrical data	
Rated insulation voltage	250 V
Rated surge voltage	2,500 V
Operating voltage of the luminous element, min.	22 V
Operating voltage of the luminous element, max.	26 V
Rated voltage, min.	1 V
Rated voltage, max.	32 V
Voltage type	DC
Rated operating current	0.1 A
Rated operating voltage	1-32 V
Operating current of the luminous element, max.	25 mA
Rated current, max.	0.1 A
Power loss	0.70080 W

1.11.021.025/0220

Overvoltage category	2
Kind of short circuit protective device	fuse 250 V / 0,1 A / 1,5 kA gG quick
Conditional short circuit current	1,000 A

> Specifications according to IEC 60947-5-1

Rated operating voltage	35 V (AC-15)
	35 V (DC-13)
Rated surge voltage	2,500 V

> Specifications according to UL 60947

UL Enclosure Type Rating front side	type 4X indoor
Operating temperature, max. to UL/TÜV	85 °C

Use according to UL:

Only approved for Class 2 power sources or limited voltage/current.

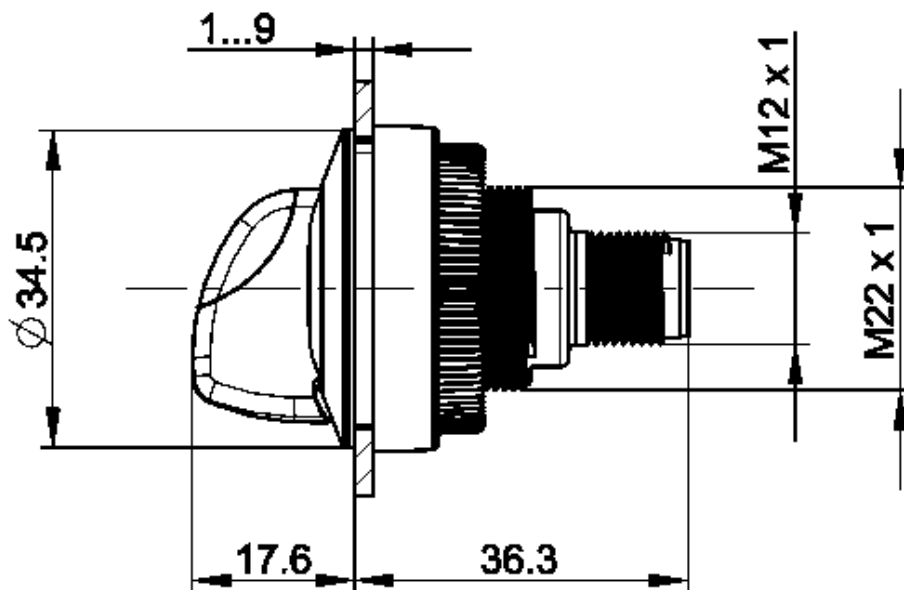
Installation only by trained personnel.

Type 4x Indoor only with cable "Cat. No. 7000-08061-0210100 PUR 4x0.25mm² with M8 plug, rated power max. 30VAC/DC 4A, manufactured by Murrelektronik GmbH" and "Cat. No. 7000-12221-0340100 PUR 4x0.34mm² with M12 connector, rated power max. 30VAC/DC 4A, manufactured by Murrelektronik GmbH" and "Cat. 30VAC/DC 4A, Manufacturer Murrelektronik GmbH" and "Cat. No. 7000-12221-0340100.

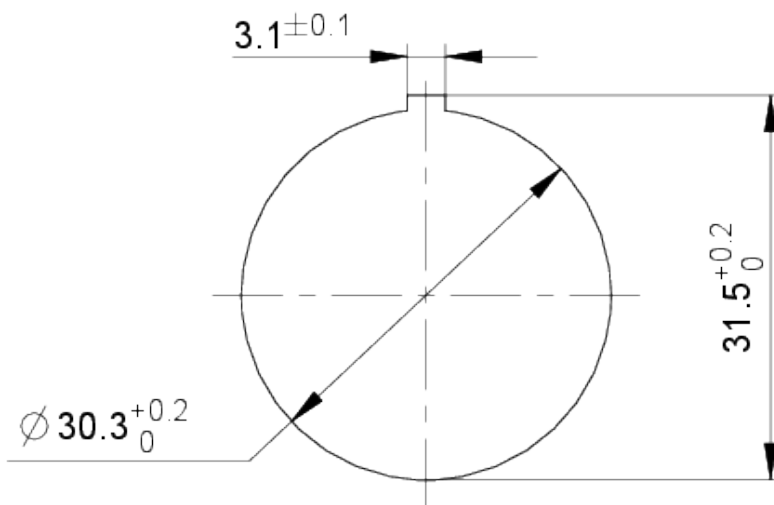
For use on a flat surface of a type 1 or type 4x enclosure (indoor).

drawings

Dimensioned drawing



Mounting hole drawing



Schematic diagram

