

## RAMO 30 T, M12, 1 NO, round collar, momentary contact function, frontring stainless steel, 1 NO, bezel black



### Description

Because it features the RAFI MICON 5 tactile switch, RAMO 30 T offers tactile feedback with a noticeable click. Due to the IP 66/IP69K degree of protection, it is recommended in particular for plant engineering and construction. RAMO 30 T requires a mounting hole diameter of 30.3 mm and offers an extremely flat design of the front panel.



### technical data

#### > general

Potential free	yes
Color	black
Bezel color	black
Property of bezel / mushroom	translucent
Collar color	black
Front ring color	stainless steel
Luminous element color	blue
Collar shape	round
Operating temperature, min.	-40 °C
Operating temperature, max.	85 °C
Storage temperature, min.	-40 °C
Storage temperature, max.	85 °C
illuminated	No
Packaging	Box
Packaging unit	10 pcs.
Net weight	24.6 g
Operating life	500,000 cycles
B10	650,000 cycles
Degree of protection, front side, according to DIN EN 60529	IP66 IP67 IP69
Degree of protection, rear side, according to DIN EN 60529	IP66 IP67
Environment resistance	IEC 60068-2-14 IEC 60068-2-30 IEC 60068-2-78
Salt-spray resistance according to standard	IEC 60068-2-11
Impact resistance IK	05
Minimum order quantity (MOQ)	10 pcs.
Pollution degree acc. to DIN EN 61010-1	Pollution degree 2

#### direct links

> [RAFI eCatalog](#)

RoHS compliant	Yes
REACH compliant	Yes
Country of origin	HU
<b>&gt; mounting diameters</b>	
Outside dimension, length	34.5 mm
Outside dimension, width	34.5 mm
Outside dimension, height	40 mm
Mounting hole	30.3 mm
Mounting depth	36.4 mm
Installation height	3.6 mm
Grid, min.	35 mm
<b>&gt; mechanical data</b>	
Terminal on the rear	M12 4-pin A-coded
Fixing	Threaded ring
Actuation function	momentary contact function
Operating force, max.	12 N
Operating force, min.	5 N
Operating travel, max.	1 mm
Threaded ring torque, max.	1.2 Nm
Resistance to force on the side	300 N
Contact function	1 NO
Contact material	Gold
PIN 1	Normally open contact 1
PIN 2	LED +
PIN 3	GND
PIN 4	Normally open contact 1
<b>&gt; electrical data</b>	
Rated insulation voltage	250 V
Rated surge voltage	800 V
Operating voltage of the luminous element, min.	20 V
Operating voltage of the luminous element, max.	28 V
Rated voltage, min.	0.02 V
Rated voltage, max.	35 V
Voltage type	DC
Rated operating current	0.1 A
Rated operating voltage	0.02-35 V
Rated current, min.	0.00001 A
Rated current, max.	0.1 A
Rated power, max.	1 W
Power loss	0.70030 W
Overvoltage category	2
Kind of short circuit protective device	fuse 250 V / 0,1 A / 1,5 kA gG quick
Conditional short circuit current	1,000 A

**> Specifications according to IEC 60947-5-1**

The information in this data sheet only contains general descriptions and / or performance features, which may not apply precisely as described to the respective application, and which may change due to further product enhancements. The technical data, illustrations and other information about our products are the mere results of individual technical testing. These descriptions and other product features are only binding if they expressly agreed upon at the time of the conclusion of a binding contract. In all other cases, we reserve the right to make technical changes as well as changes of availability. Pictures and other graphic illustrations are approximations only. All product names may be trademarks or brand names of the RAFI Group or any other sub-supplier of RAFI. The use of such by any third parties for their own purposes may infringe the rights of the respective entity holding those rights.

date: May 4, 2026 page: 2/5

**RAFI GmbH & Co. KG**

Ravensburger Str. 128-134  
88276 Berg / Ravensburg  
Germany  
www.rafi-group.com,  
info.headquarters@rafi-group.com

**1.11.011.001/0110**

Rated operating voltage	35 V (AC-15) 35 V (DC-13)
Rated surge voltage	800 V

**> Specifications according to UL 60947**

Rated voltage, max.	30 V DC (42,4 V peak)
UL Enclosure Type Rating front side	type 4X indoor
Operating temperature, max. to UL/TÜV	70 °C

**Use according to UL:**

---

Only approved for Class 2 power sources or limited voltage/current.

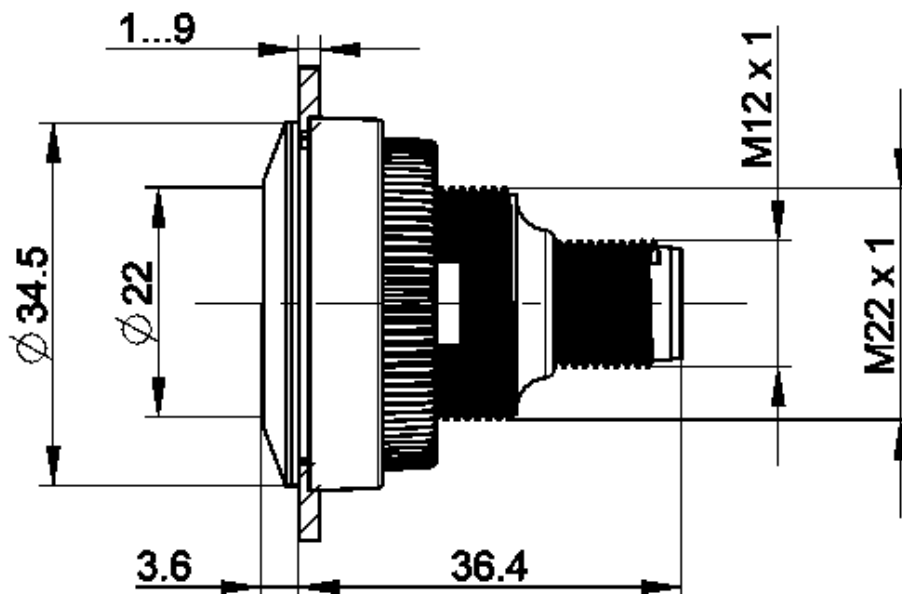
Installation only by trained personnel.

Type 4x Indoor only with cable "Cat. No. 7000-08061-0210100 PUR 4x0.25mm<sup>2</sup> with M8 plug, rated power max. 30VAC/DC 4A, manufactured by Murrelektronik GmbH" and "Cat. No. 7000-12221-0340100 PUR 4x0.34mm<sup>2</sup> with M12 connector, rated power max. 30VAC/DC 4A, manufactured by Murrelektronik GmbH" and "Cat. 30VAC/DC 4A, Manufacturer Murrelektronik GmbH" and "Cat. No. 7000-12221-0340100.

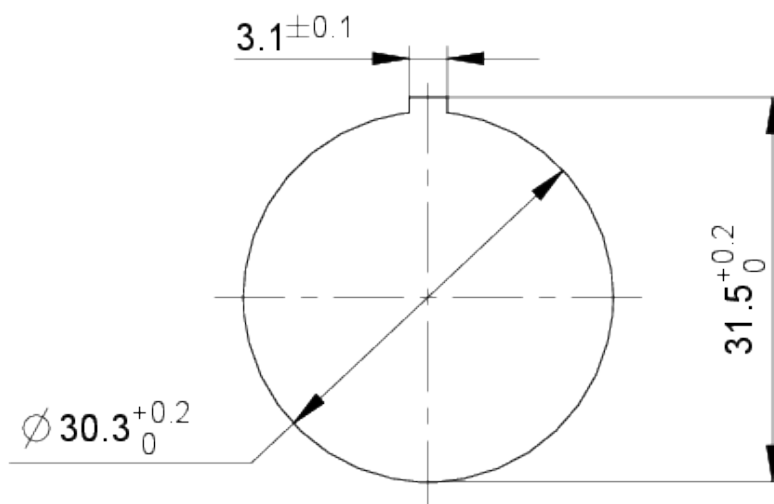
For use on a flat surface of a type 1 or type 4x enclosure (indoor).

**drawings**

**Dimensioned drawing**



**Mounting hole drawing**



**Schematic diagram**

