

# RAMO 22 F, RJ45, round collar, frontring metallic silver, RJ 45 CAT 5



## Description

Cable feed-through for front panels. Front side USB 3.0 or RJ45, rear side with corresponding sockets in the housing or 55 cm cable and socket.



## technical data

### > general

Collar color	black
Front ring color	metallic silver
Collar shape	round
Operating temperature, min.	-25 °C
Operating temperature, max.	70 °C
Storage temperature, min.	-40 °C
Storage temperature, max.	90 °C
illuminated	No
Packaging	Box
Packaging unit	2 pcs.
Net weight	20.5 g
Operating life	750 cycles
Degree of protection, front side, according to DIN EN 60529	IP65 with sealing cap
Environment resistance	IEC 60068-2-14 IEC 60068-2-30 IEC 60068-2-78
Impact resistance IK	05 side 07 frontal
Minimum order quantity (MOQ)	2 pcs.
RoHS compliant	Yes
REACH compliant	Yes
Country of origin	HU

### > mounting diameters

Outside dimension, length	29.82 mm
Outside dimension, width	29.82 mm
Outside dimension, height	45.45 mm
Mounting hole	22.3 mm
Mounting depth	34.08 mm
Installation height	11.37 mm
Grid, min.	30 mm

### direct links

> [RAFI eCatalog](#)

Collar dimension 29.82 mm

> **mechanical data**

Front side terminal RJ 45 CAT 5

Terminal on the rear RJ 45 CAT 5

Fixing Threaded ring

Threaded ring torque, max. 1.2 Nm

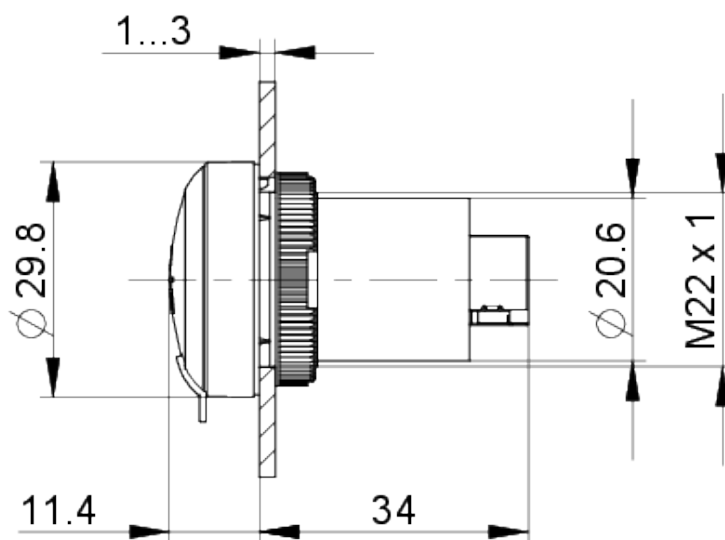
> **Specifications according to UL 60947**

UL Enclosure Type Rating front side type 4X indoor

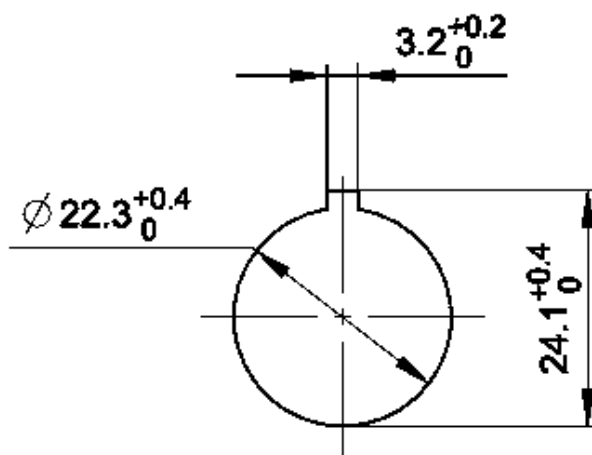
Operating temperature, max. to UL/TÜV 70 °C

**drawings**

**Dimensioned drawing**



**Mounting hole drawing**



acc. to IEC 60947-5-1