

RAMO 22 I, M12, round collar, FLEXLAB, lamp white, M12 4-pin A-coded



Description

RAMO I signal lamps extend the range with a bright, energy-efficient signal lamp. The concave bezel means the reflected beam angle and angle of vision are more than 180°. It also provides a different look to the RAMO T pushbuttons. The signal lamp is available in five colors. Just like all RAMO actuators, connection is simple using Plug&Play and without any manual wiring – with M12 sensor cables.

With the RAMO I FLEXLAB signal lamps an individual configuration of the lens color and labeling is possible by the customer. This allows maximum flexibility. Lenses are additionally required as accessories.



technical data

> general

Color	black
Collar color	black
Luminous element color	white
Collar shape	round
Operating temperature, min.	-40 °C
Operating temperature, max.	85 °C
Storage temperature, min.	-40 °C
Storage temperature, max.	85 °C
illuminated	Yes
Luminous elements	LED
Packaging	Box
Packaging unit	10 pcs.
Net weight	12 g
Degree of protection, front side, according to DIN EN 60529	IP66 IP67 IP69
Degree of protection, rear side, according to DIN EN 60529	IP66 IP67
Environment resistance	IEC 60068-2-14 IEC 60068-2-30 IEC 60068-2-78
Salt-spray resistance according to standard	IEC 60068-2-11
Impact resistance IK	04 frontal

direct links

> [RAFI eCatalog](#)

Minimum order quantity (MOQ)	10 pcs.
Pollution degree acc. to DIN EN 61010-1	Pollution degree 2
RoHS compliant	Yes
REACH compliant	Yes
Country of origin	HU
> mounting diameters	
Outside dimension, length	29.8 mm
Outside dimension, width	29.8 mm
Outside dimension, height	40 mm
Mounting hole	22.3 mm
Mounting depth	30.2 mm
Installation height	9.8 mm
Grid, min.	30 mm
Collar dimension	29.8 mm
> mechanical data	
Terminal on the rear	M12 4-pin A-coded
Fixing	Threaded ring
Threaded ring torque, max.	1.2 Nm
Resistance to force on the side	300 N
PIN 2	LED +
PIN 3	GND
> electrical data	
Rated insulation voltage	250 V
Rated surge voltage	800 V
Operating voltage of the luminous element, min.	20 V
Operating voltage of the luminous element, max.	28 V
Voltage type	DC
Rated operating current	0.01 A
Rated operating voltage	20-28 V
Operating current of the luminous element, min.	8 mA
Operating current of the luminous element, max.	12 mA
Power loss	0.70000 W
Overvoltage category	2
Kind of short circuit protective device	fuse 250 V / 0,1 A / 1,5 kA gG quick
Conditional short circuit current	1,000 A
> Specifications according to IEC 60947-5-1	
Rated operating voltage	DC 20 - 28 V
Rated surge voltage	800 V
> Specifications according to UL 60947	
UL Enclosure Type Rating front side	type 4X indoor

Operating temperature, max. to 70 °C
UL/TÜV

Use according to UL:

Only approved for Class 2 power sources or limited voltage/current.

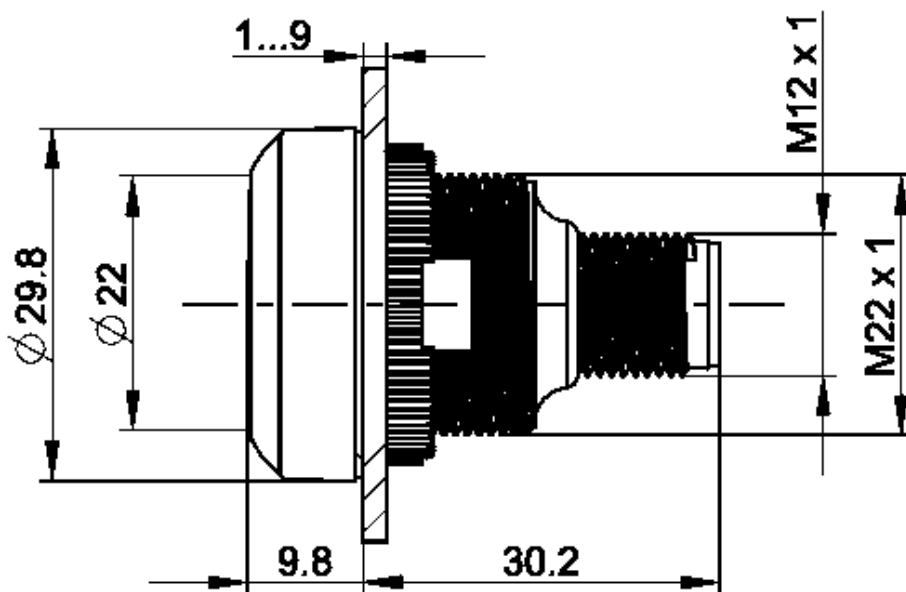
Installation only by trained personnel.

Type 4x Indoor only with cable "Cat. No. 7000-08061-0210100 PUR 4x0.25mm² with M8 plug, rated power max. 30VAC/DC 4A, manufactured by Murrelektronik GmbH" and "Cat. No. 7000-12221-0340100 PUR 4x0.34mm² with M12 connector, rated power max. 30VAC/DC 4A, manufactured by Murrelektronik GmbH" and "Cat. 30VAC/DC 4A, Manufacturer Murrelektronik GmbH" and "Cat. No. 7000-12221-0340100.

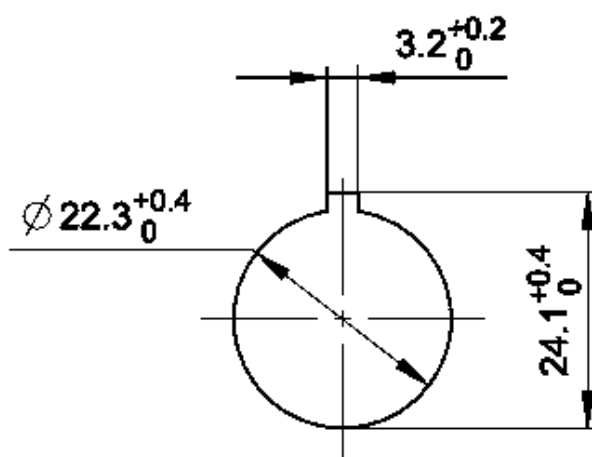
For use on a flat surface of a type 1 or type 4x enclosure (indoor).

drawings

Dimensioned drawing



Mounting hole drawing



acc. to IEC 60947-5-1

Schematic diagram

