

RAMO 22 I, M12, round collar, lamp white, bezel yellow, M12 4-pin A-coded



Description

RAMO I signal lamps extend the range with a bright, energy-efficient signal lamp. The concave bezel means the reflected beam angle and angle of vision are more than 180°. It also provides a different look to the RAMO T pushbuttons. The signal lamp is available in five colors. Just like all RAMO actuators, connection is simple using Plug&Play and without any manual wiring – with M12 sensor cables.

With the RAMO I FLEXLAB signal lamps an individual configuration of the lens color and labeling is possible by the customer. This allows maximum flexibility. Lenses are additionally required as accessories.



technical data

> general

| | |
|--|--|
| Color | black |
| Bezel color | yellow |
| Property of bezel / mushroom | translucent |
| Collar color | black |
| Luminous element color | white |
| Collar shape | round |
| Operating temperature, min. | -40 °C |
| Operating temperature, max. | 85 °C |
| Storage temperature, min. | -40 °C |
| Storage temperature, max. | 85 °C |
| illuminated | Yes |
| Luminous elements | LED |
| Packaging | Box |
| Packaging unit | 10 pcs. |
| Net weight | 12 g |
| Degree of protection, front side, according to DIN EN 60529 | IP66 IP67 IP69 |
| Degree of protection, rear side, according to DIN EN 60529 | IP66 IP67 |
| Environment resistance | IEC 60068-2-14 IEC 60068-2-30 IEC 60068-2-78 |

direct links

> [RAFI eCatalog](#)

| | |
|---|--------------------------------------|
| Salt-spray resistance according to standard | IEC 60068-2-11 |
| Impact resistance IK | 04 frontal |
| Minimum order quantity (MOQ) | 10 pcs. |
| Pollution degree acc. to DIN EN 61010-1 | Pollution degree 2 |
| RoHS compliant | Yes |
| REACH compliant | Yes |
| Country of origin | HU |
| > mounting diameters | |
| Outside dimension, length | 29.8 mm |
| Outside dimension, width | 29.8 mm |
| Outside dimension, height | 41.8 mm |
| Mounting hole | 22.3 mm |
| Mounting depth | 30.2 mm |
| Installation height | 11.6 mm |
| Grid, min. | 30 mm |
| Collar dimension | 29.8 mm |
| > mechanical data | |
| Terminal on the rear | M12 4-pin A-coded |
| Fixing | Threaded ring |
| Threaded ring torque, max. | 1.2 Nm |
| Resistance to force on the side | 300 N |
| PIN 2 | LED + |
| PIN 3 | GND |
| > electrical data | |
| Rated insulation voltage | 250 V |
| Rated surge voltage | 800 V |
| Operating voltage of the luminous element, min. | 20 V |
| Operating voltage of the luminous element, max. | 28 V |
| Voltage type | DC |
| Rated operating current | 0.01 A |
| Rated operating voltage | 20-28 V |
| Operating current of the luminous element, min. | 8 mA |
| Operating current of the luminous element, max. | 12 mA |
| Power loss | 0.70000 W |
| Overvoltage category | 2 |
| Kind of short circuit protective device | fuse 250 V / 0,1 A / 1,5 kA gG quick |
| Conditional short circuit current | 1,000 A |
| > Specifications according to IEC 60947-5-1 | |
| Rated operating voltage | DC 20 - 28 V |
| Rated surge voltage | 800 V |

> Specifications according to UL 60947

| | |
|---------------------------------------|----------------|
| UL Enclosure Type Rating front side | type 4X indoor |
| Operating temperature, max. to UL/TÜV | 70 °C |

Use according to UL:

Only approved for Class 2 power sources or limited voltage/current.

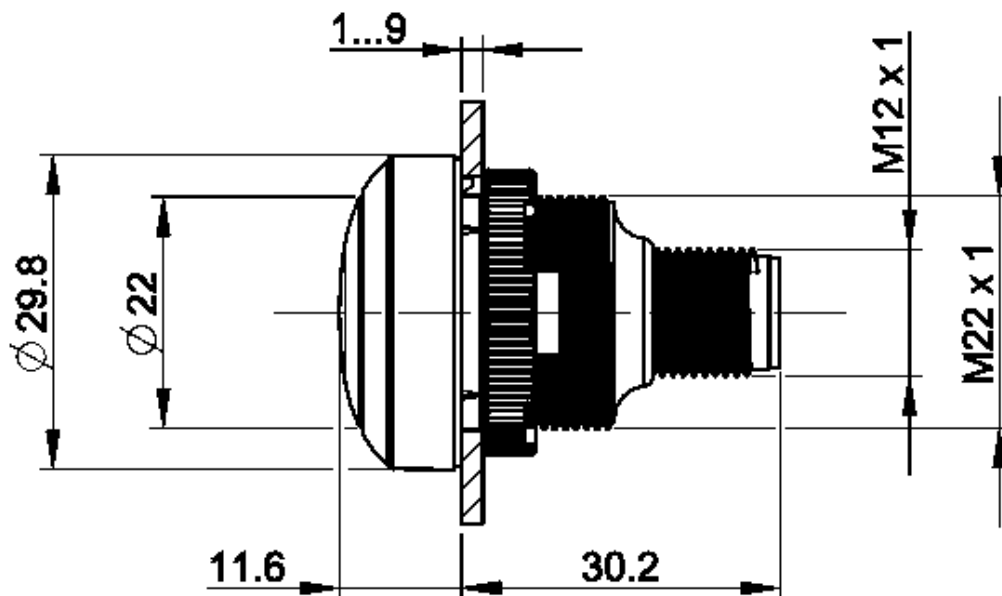
Installation only by trained personnel.

Type 4x Indoor only with cable "Cat. No. 7000-08061-0210100 PUR 4x0.25mm² with M8 plug, rated power max. 30VAC/DC 4A, manufactured by Murrelektronik GmbH" and "Cat. No. 7000-12221-0340100 PUR 4x0.34mm² with M12 connector, rated power max. 30VAC/DC 4A, manufactured by Murrelektronik GmbH" and "Cat. 30VAC/DC 4A, Manufacturer Murrelektronik GmbH" and "Cat. No. 7000-12221-0340100.

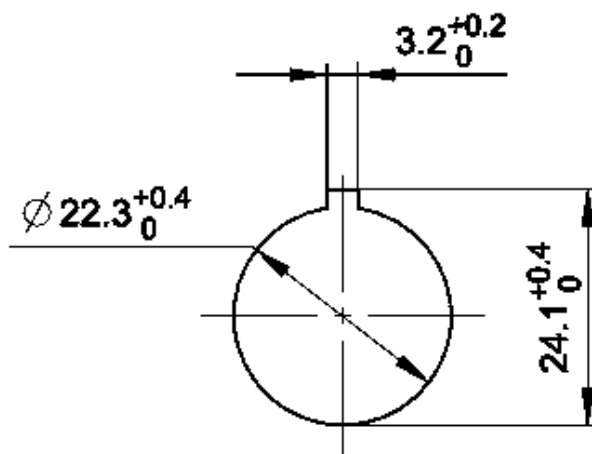
For use on a flat surface of a type 1 or type 4x enclosure (indoor).

drawings

Dimensioned drawing



Mounting hole drawing



acc. to IEC 60947-5-1

Schematic diagram

