

RAMO 22 S, M12, round collar, 2 NO, Gold, M12 4-pin A-coded, frontring black, 1 x 40°, momentary contact function



Description

The RAMO S selector switches offer a solution for every application thanks to a wide variety of contact functions, rotation angles, actuation functions and illuminated panels.

Just like all RAMO actuators, connection is simple using Plug&Play and without any manual wiring - with M12 sensor cables.



technical data

> general

| | |
|-------------------------------------------------------------|----------------------------------------------------|
| Potential free | no |
| Color | black |
| Bezel color | white |
| Property of bezel / mushroom | transparent |
| Collar color | black |
| Front ring color | black |
| Collar shape | round |
| Operating temperature, min. | -40 °C |
| Operating temperature, max. | 85 °C |
| Storage temperature, min. | -40 °C |
| Storage temperature, max. | 90 °C |
| illuminated | No |
| Packaging | Box |
| Packaging unit | 2 pcs. |
| Net weight | 16.5 g |
| Operating life | 200,000 cycles |
| B10 | 250,000 cycles |
| Degree of protection, front side, according to DIN EN 60529 | IP65 |
| Degree of protection, rear side, according to DIN EN 60529 | IP65 |
| Environment resistance | IEC 60068-2-14 IEC 60068-2-30 IEC 60068-2-78 |
| Shock resistance according to standard IEC 60068-2-27 | 30 g at 11 ms amplitude semi-sinusoidal |
| Salt-spray resistance according to standard | IEC 60068-2-11 |

direct links

> [RAFI eCatalog](#)

| | |
|------------------------------------------------------------|----------------------------------------------------|
| Impact resistance IK | 02 side 08 frontal |
| Oscillation resistance according to standard IEC 60068-2-6 | 5 g at 10...500 Hz |
| Minimum order quantity (MOQ) | 2 pcs. |
| Pollution degree acc. to DIN EN 61010-1 | Pollution degree 2 |
| RoHS compliant | Yes |
| REACH compliant | Yes |
| Country of origin | HU |
| > mounting diameters | |
| Outside dimension, length | 29.8 mm |
| Outside dimension, width | 29.8 mm |
| Outside dimension, height | 53.9 mm |
| Mounting hole | 22.3 mm |
| Mounting depth | 30.1 mm |
| Installation height | 23.8 mm |
| Grid, min. | 30 mm |
| > mechanical data | |
| Terminal on the rear | M12 4-pin A-coded |
| Fixing | Threaded ring |
| Actuation function | momentary contact function |
| Threaded ring torque, max. | 1.2 Nm |
| Rotating angle | 1 x 40° |
| Resistance to force on the side | 300 N |
| Contact function | 2 NO |
| Contact material | Gold |
| PIN 1 | Normally open contact 1 Normally open contact 2 |
| PIN 2 | Normally open contact 2 |
| PIN 3 | GND |
| PIN 4 | Normally open contact 1 |
| > electrical data | |
| Rated insulation voltage | 250 V |
| Rated surge voltage | 2,500 V |
| Operating voltage of the luminous element, min. | 22 V |
| Operating voltage of the luminous element, max. | 26 V |
| Rated voltage, min. | 1 V |
| Rated voltage, max. | 32 V |
| Voltage type | DC |
| Rated operating voltage | 1-32 V |
| Operating current of the luminous element, max. | 25 mA |
| Rated current, max. | 0.1 A |
| Power loss | 0.00080 W |

1.10.021.001/0021

| | |
|-----------------------------------------|--------------------------------------|
| Overvoltage category | 2 |
| Kind of short circuit protective device | fuse 250 V / 0,1 A / 1,5 kA gG quick |
| Conditional short circuit current | 1,000 A |

> Specifications according to IEC 60947-5-1

| | |
|-------------------------|--------------|
| Rated operating voltage | 35 V (AC-15) |
| | 35 V (DC-13) |
| Rated surge voltage | 2,500 V |

> Specifications according to UL 60947

| | |
|---------------------------------------|----------------|
| UL Enclosure Type Rating front side | type 4X indoor |
| Operating temperature, max. to UL/TÜV | 85 °C |

Use according to UL:

Only approved for Class 2 power sources or limited voltage/current.

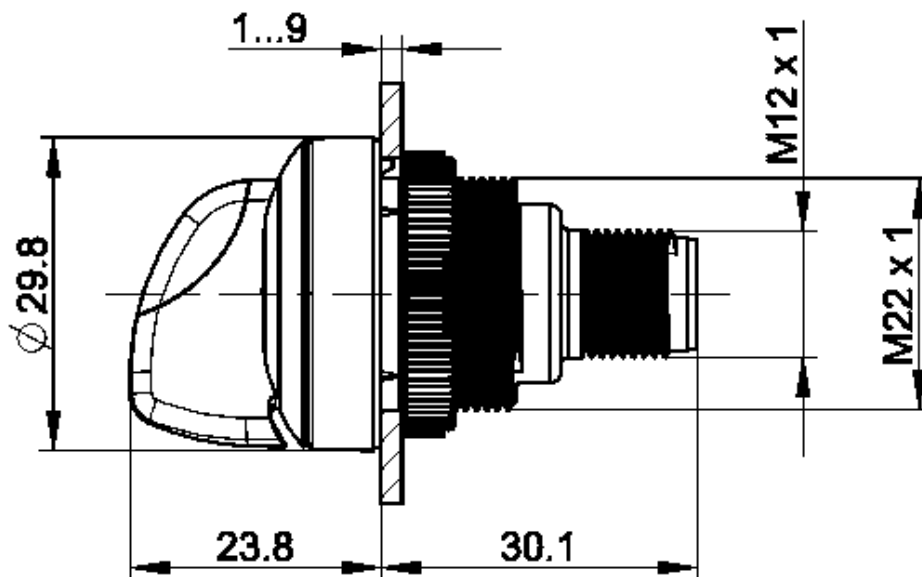
Installation only by trained personnel.

Type 4x Indoor only with cable "Cat. No. 7000-08061-0210100 PUR 4x0.25mm² with M8 plug, rated power max. 30VAC/DC 4A, manufactured by Murrelektronik GmbH" and "Cat. No. 7000-12221-0340100 PUR 4x0.34mm² with M12 connector, rated power max. 30VAC/DC 4A, manufactured by Murrelektronik GmbH" and "Cat. 30VAC/DC 4A, Manufacturer Murrelektronik GmbH" and "Cat. No. 7000-12221-0340100.

For use on a flat surface of a type 1 or type 4x enclosure (indoor).

drawings

Dimensioned drawing



Mounting hole drawing



acc. to IEC 60947-5-1

Schematic diagram

