

RAMO 22 T, M12, 1 NO, round collar, momentary contact function, frontring metallic silver, 1 NO, bezel white



Description

Because it features the RAFI MICON 5 tactile switch, RAMO 22 T offers tactile feedback with a noticeable click. Due to the IP 66/IP69K degree of protection, it is recommended in particular for plant engineering and construction. RAMO 22 T requires a mounting hole diameter of 22.3 mm.



technical data

> general

| | |
|--|--|
| Potential free | yes |
| Color | black |
| Bezel color | white |
| Property of bezel / mushroom | translucent |
| Collar color | black |
| Front ring color | metallic silver |
| Luminous element color | white |
| Collar shape | round |
| Operating temperature, min. | -40 °C |
| Operating temperature, max. | 85 °C |
| Storage temperature, min. | -40 °C |
| Storage temperature, max. | 85 °C |
| illuminated | Yes |
| Luminous elements | LED |
| Packaging | Box |
| Packaging unit | 10 pcs. |
| Net weight | 12.6 g |
| Operating life | 500,000 cycles |
| B10 | 650,000 cycles |
| Degree of protection, front side, according to DIN EN 60529 | IP66 IP67 IP69 |
| Degree of protection, rear side, according to DIN EN 60529 | IP66 IP67 |
| Environment resistance | IEC 60068-2-14 IEC 60068-2-30 IEC 60068-2-33 IEC 60068-2-78 |
| Salt-spray resistance according to standard | IEC 60068-2-11 |
| Impact resistance IK | 05 |
| Minimum order quantity (MOQ) | 10 pcs. |

direct links

> [RAFI eCatalog](#)

| | |
|---|--------------------------------------|
| Pollution degree acc. to DIN EN 61010-1 | Pollution degree 2 |
| RoHS compliant | Yes |
| REACH compliant | Yes |
| Country of origin | HU |
| > mounting diameters | |
| Outside dimension, length | 40 mm |
| Outside dimension, width | 29.8 mm |
| Outside dimension, height | 29.8 mm |
| Mounting hole | 22.3 mm |
| Mounting depth | 30.2 mm |
| Installation height | 9.8 mm |
| Grid, min. | 30 mm |
| > mechanical data | |
| Terminal on the rear | M12 4-pin A-coded |
| Fixing | Threaded ring |
| Actuation function | momentary contact function |
| Operating force, max. | 12 N |
| Operating force, min. | 5 N |
| Operating travel, max. | 1 mm |
| Threaded ring torque, max. | 1.2 Nm |
| Resistance to force on the side | 300 N |
| Contact function | 1 NO |
| Contact material | Gold |
| PIN 1 | Normally open contact 1 |
| PIN 2 | LED + |
| PIN 3 | GND |
| PIN 4 | Normally open contact 1 |
| > electrical data | |
| Rated insulation voltage | 250 V |
| Rated surge voltage | 800 V |
| Operating voltage of the luminous element, min. | 20 V |
| Operating voltage of the luminous element, max. | 28 V |
| Rated voltage, min. | 0.02 V |
| Rated voltage, max. | 35 V |
| Voltage type | DC |
| Rated operating current | 0.1 A |
| Rated operating voltage | 0.02-35 V |
| Rated current, min. | 0.00001 A |
| Rated current, max. | 0.1 A |
| Rated power, max. | 1 W |
| Power loss | 0.70030 W |
| Overvoltage category | 2 |
| Kind of short circuit protective device | fuse 250 V / 0,1 A / 1,5 kA gG quick |

1.10.011.001/0220

Conditional short circuit current 1,000 A

> Specifications according to IEC 60947-5-1

Rated operating voltage 35 V (AC-15)

35 V (DC-13)

Rated surge voltage 800 V

> Specifications according to UL 60947

Rated voltage, max. 30 V DC (42,4 V peak)

UL Enclosure Type Rating front side
type 4X indoor

Operating temperature, max. to 70 °C
UL/TÜV

Use according to UL:

Only approved for Class 2 power sources or limited voltage/current.

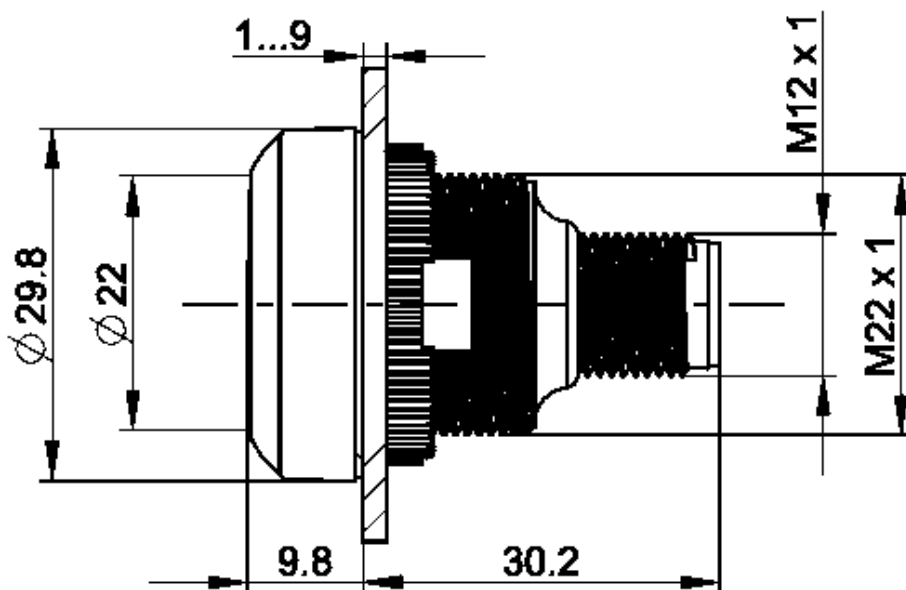
Installation only by trained personnel.

Type 4x Indoor only with cable "Cat. No. 7000-08061-0210100 PUR 4x0.25mm² with M8 plug, rated power max. 30VAC/DC 4A, manufactured by Murrelektronik GmbH" and "Cat. No. 7000-12221-0340100 PUR 4x0.34mm² with M12 connector, rated power max. 30VAC/DC 4A, manufactured by Murrelektronik GmbH" and "Cat. 30VAC/DC 4A, Manufacturer Murrelektronik GmbH" and "Cat. No. 7000-12221-0340100.

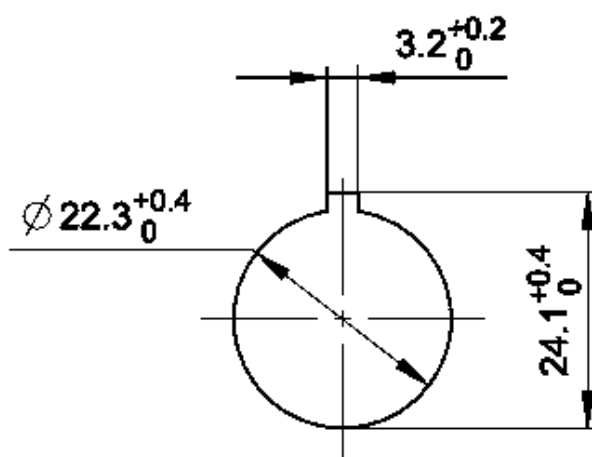
For use on a flat surface of a type 1 or type 4x enclosure (indoor).

drawings

Dimensioned drawing



Mounting hole drawing



acc. to IEC 60947-5-1

Schematic diagram

